

# FORM FIT HOOD PROTECTOR

Toyota FJ Cruiser 2007 –

HD 20T 07

## Hardware Kit

- 5 – Clip Bodies
- 5 – Pins
- 5 – # 6 x 5/8" Screws
- 5 – Nylon Washers
- 3 – Hook Brackets 20.5mm
- 2 – Hook Brackets 17.0mm
- 5 – 3M Anti-abrasion Film Pads
- 1 – 3M Adhesion Promoter
- 1 – Alcohol Pad
- 2 – Two Part Mounting Pedestals – (Total of 4 pieces – 2 are already installed on the protector)

## Tools Required

- 1 – Phillips Screwdriver # 2
- 1 – Tape Measure



## Installation Instruction

1. Be sure that the hood is clean and dry inside and out.
2. Apply the adhesive promoter to the 2 (two) areas shown in *Illustration #1*, where the mounting pedestals will attach. *Follow the instructions on the promoter for use. Allow the adhesive promoter to dry.*
3. Peel the protective backing from the tape on the Pedestal Clips.
4. Attach the two (2) pedestal clips to the hood as shown in the illustration. Be sure to attach the pedestal clips with the open end of the clip facing forward. Once the pedestal clips are in place, push down on the flange area to be sure that all the tape is in full contact with the hood. Clean up any residue from the adhesion promoter with the alcohol pad. *See Illustrations #1.*
5. Position the protector on the hood by inserting the pedestal clips already attached to the protector into those installed on the hood. Make sure the protector is centered and the hooks on the clips are fully engaged by pushing the protector towards the vehicle.
6. Open the hood.
7. Peel the anti-abrasion film pads from the backing and stick them to the hood, centered underneath each hole in the protector. *See Illustration #2 & #3 – Step #7.*
8. Starting with the three (3) centre holes in the protector, place a clip body between the hood and the protector and align with the hole; insert a pin through the protector into the clip body. *See Illustration #2 & #3 – Step 8.*
9. Place a nylon washer onto a #6 x 5/8" screw; hook a **20.5mm** hook bracket on the edge of the hood and underneath a clip body, insert the screw through the hook clip and into the clip body. Make sure all components are well seated together, and then tighten the screw into the clip body. *See Illustration #3 – Step #9.*
10. Repeat steps #7, 8 and 9 for the remaining two (2) outside holes using the **17.0mm** hook brackets.
11. On some vehicles it may be necessary to adjust the hood bumpers and/or latch for proper clearance.  
**Note: Do not pull on the protector when opening or closing the hood.**

## Care Instruction

Clean the protector with a mild soap and water solution or plastic cleaner only. Do not use chemicals or solvents. Periodically check to make sure all the hardware is in place and the protector is secure.

Avoid using automatic car washes. Do not pull on the protector when opening or closing the hood.

Illustration #1: – Pedestal Location

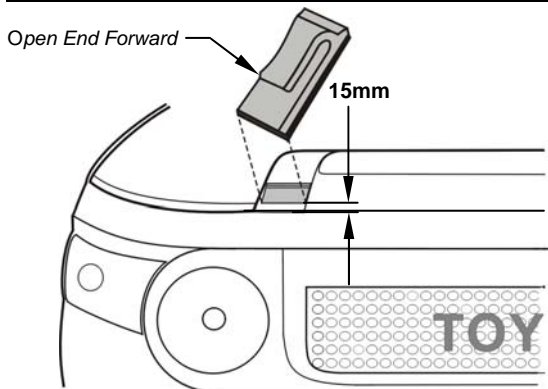


Illustration #2: – Clip Placement

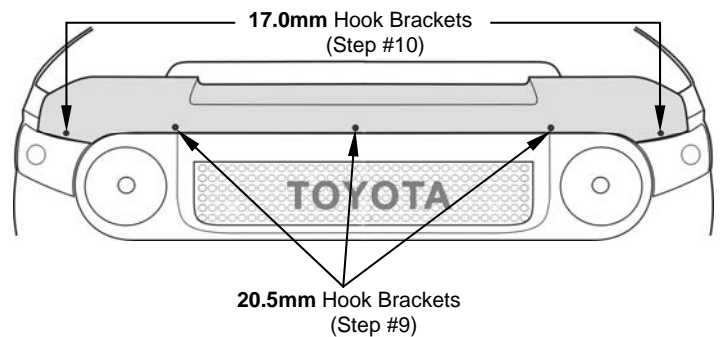
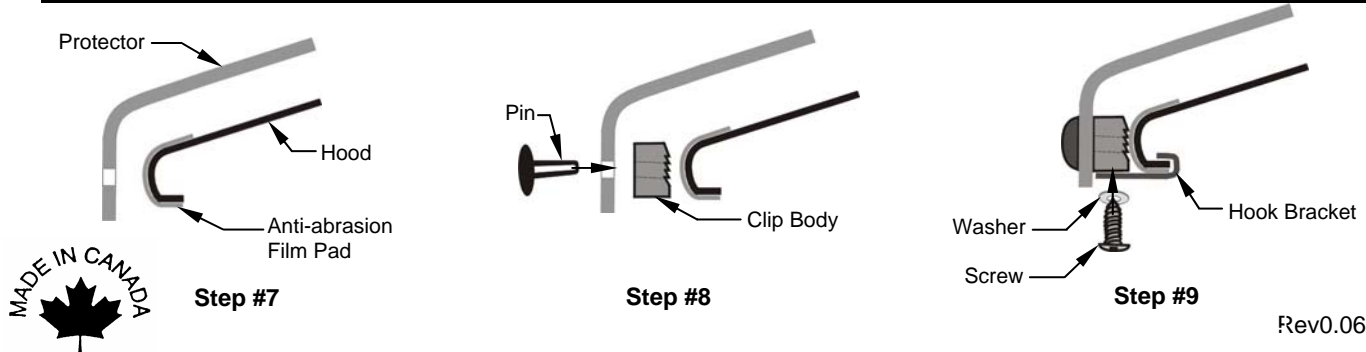


Illustration #3: – Clip Configuration – Patent No.6,892,427



Rev0.060704