

## Hardware Kit

- 5 – Large Bumpons
- 4 – 3M Anti-abrasion Film Pads
- 4 – Black 'C' Clips
- 4 – #6 x 3/8" Screws
- 4 – #4 x 3/16" Screws

## Tools Required

- 1 – Phillips Screwdriver #1
- 1 – Phillips Screwdriver #2
- 1 – Tape Measure



## Installation

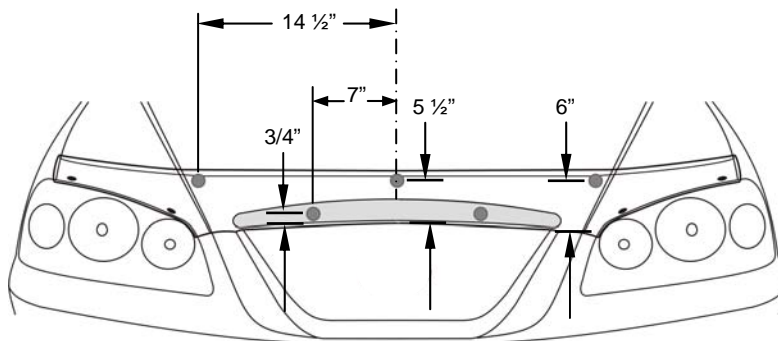
1. Be sure that the hood is clean and dry inside and out. Open the hood of the vehicle.
2. Install the bumpons as shown in *Illustration #1*. **Attention: The bumpons must be installed on the hood, not on the protector!!!** If the bumpons are installed on the protector, they will wear through the paint.
3. Center the protector on the hood, resting on the bumpons.
4. Peel and fold an anti-abrasion film pad in half over the edge of the hood, underneath each of the two (2) inner holes in the protector. See *Illustrations #2*.
5. Slide the "C" clips on the hood in line with the holes in the protector. Be sure that the "C" clips are well seated against the hood; it may be necessary to tap on the clips. See *Illustration #2*.
6. Be sure that the hole in the top of the clips lines up with the hole in the protector, then tighten the #6 x 3/8" screws, through the protector and into the top of the "C" clips. **Do not over tighten.** See *Illustration #2*.
7. Make sure all the clips are well seated against the hood. Tighten the #4 x 3/16" screws in the back of the "C" clips. See *Illustration #2*.
8. Repeat steps #4, 5, 6 and 7 for the other two (2) holes.
9. On some vehicles it may be necessary to adjust the hood bumpers and/or latch for proper clearance.

**Note: Do not pull on the protector when opening or closing the hood.**

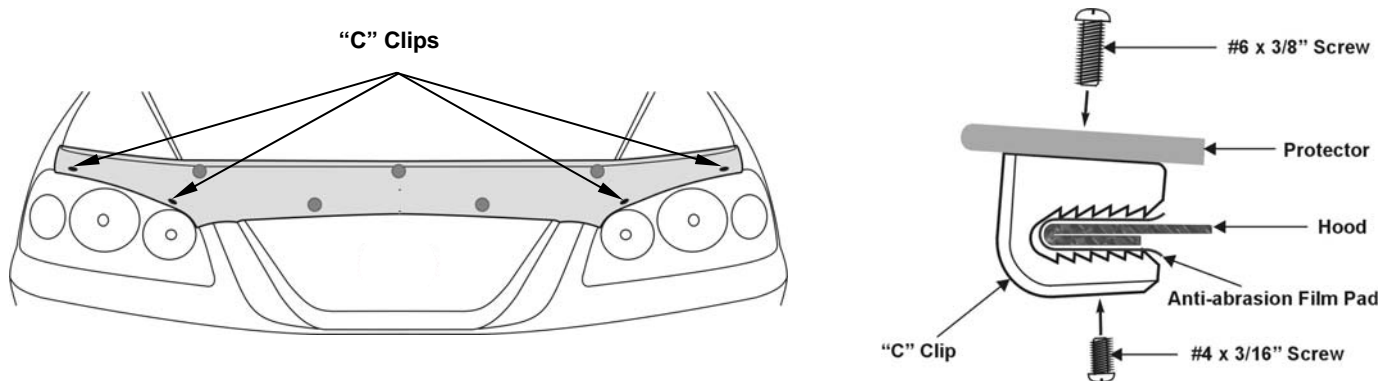
## Care Instruction

Clean the protector with a mild soap and water solution or plastic cleaner only. Do not use chemicals or solvents. Periodically check to make sure that the bumpons are in place and that the protector is secure. Avoid using automatic car washes. Do not pull on the protector when opening or closing the hood.

## Illustration #1: Bumpon Location



## Illustration #2: Clip Location and Configuration



Thank you for purchasing a **FORM FIT** hood protector.  
Retain this sheet for care instructions and kit information

**Made in Canada**

Rev0.050321