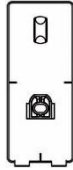


Installation Instructions

Toyota Tundra 2014- Up

KIT CONTENTS

Adhesive pedestals (5)



Pins (9)



Surface cleaner (1)



“L” Brackets (4)



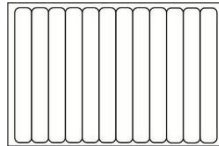
Foam “D” seal (1)



Anti-abrasion pads (4)



Re-usable tape strips (1)



Bumpers (2)



Screws (9)



Clip bodies (4)



Installation tape measure (1)



Hood protector blade (1)

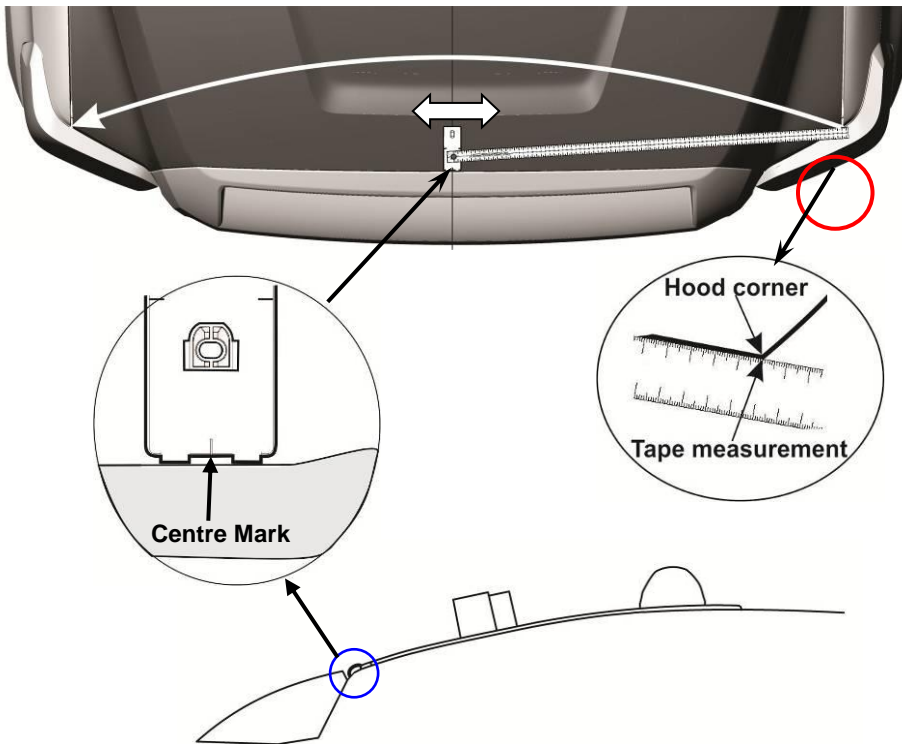
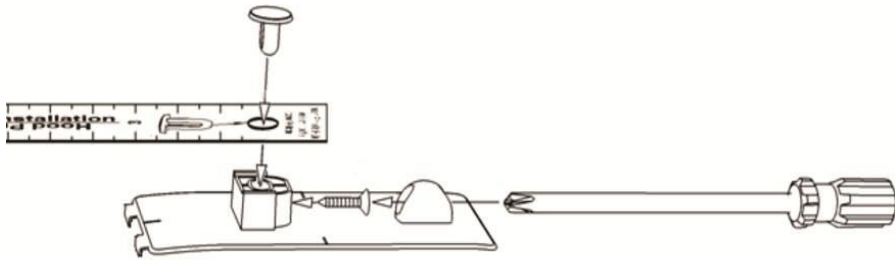


Tools and Supplies

Phillips Screwdriver # 2
Clean cloth or paper towel

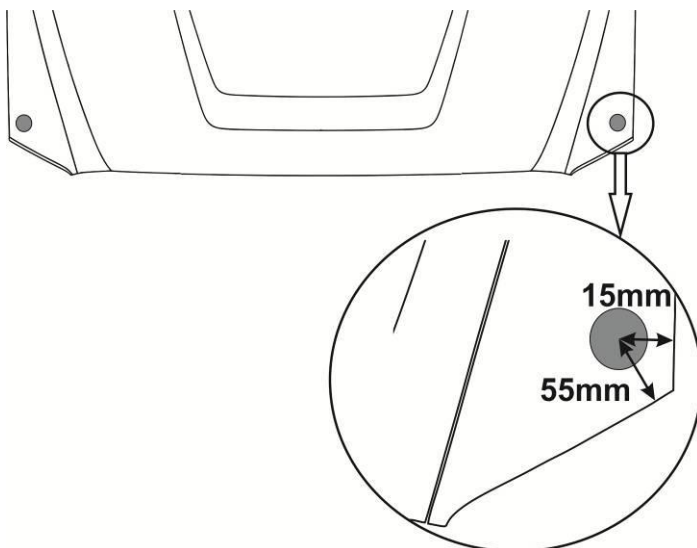
Installation Procedure

NOTE: To achieve maximum adhesion pedestals must be installed from 15°C to 43°C (60°F to 110°F) and allowed to sit for at least 1 hour.

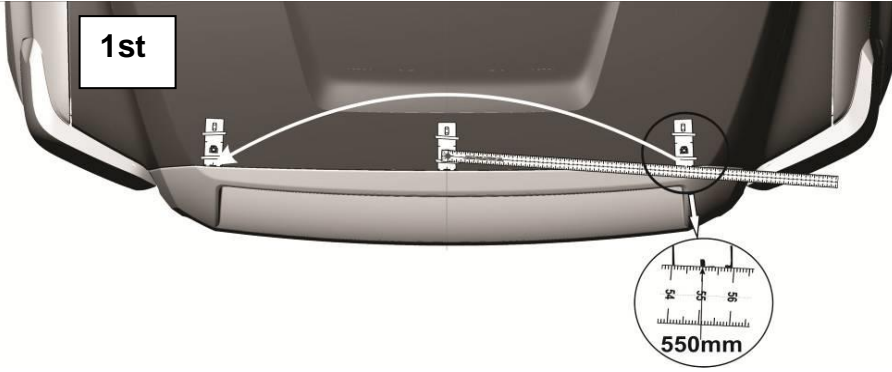


1. Be sure that the hood is clean and dry inside and out.
 2. Insert a pin through the hole in the hood protector installation tape measure and into a large adhesive pedestal.
 3. Install a screw into the pedestal as shown.
 4. Use the installation tape assembly to determine pedestal position by measuring to opposite corners of the hood and adjust pedestal until both measurements are identical.
- Temporarily tape pedestal into position using masking tape or the repositionable tape strips provided

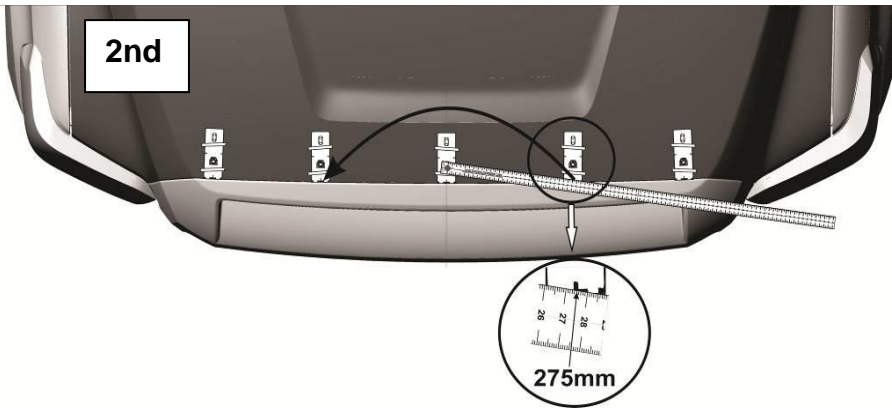
Note: It is important that the position of the pedestals relative to the grill attached to the hood is accurate. The fingers on the pedestals sit against the trailing edge of the grill. See illustration.



5. Install the two (2) bumpons as shown. **Attention: Bumpons must be installed on the hood, not on the protector!!!** If the bumpons are installed on the protector, they may wear through the paint.

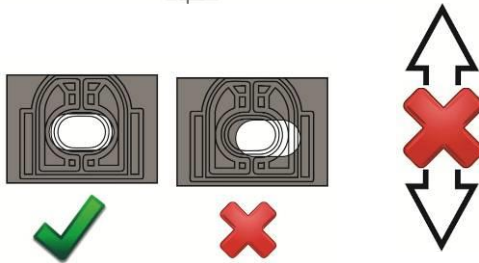


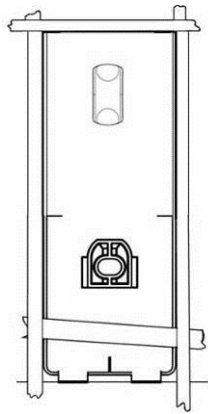
6. Use the center mark on the leading edge of the pedestals for accurate measuring.
- Note: Measure to the centre mark on the pedestals, not to the hood edge.**
- The order of the pedestals, this ensures the tape measure is not interfered with.



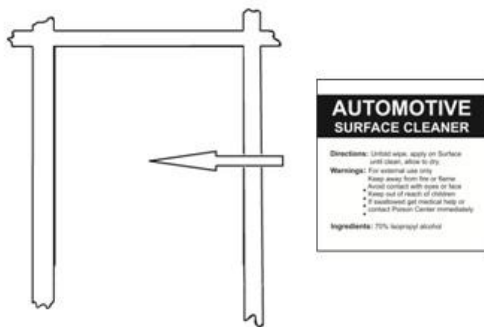
7. Place the hood deflector on the pedestals to confirm proper positioning, make any necessary adjustments.

WARNING: Do not adjust pedestal forward or back, left and right only!

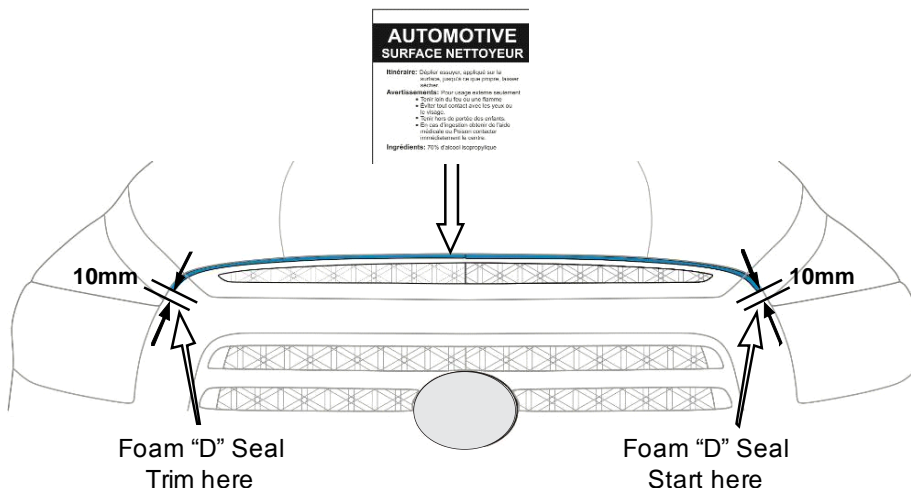




- Remove the hood protector, and outline the perimeter of the pedestals with masking tape or the reusable tape strips.

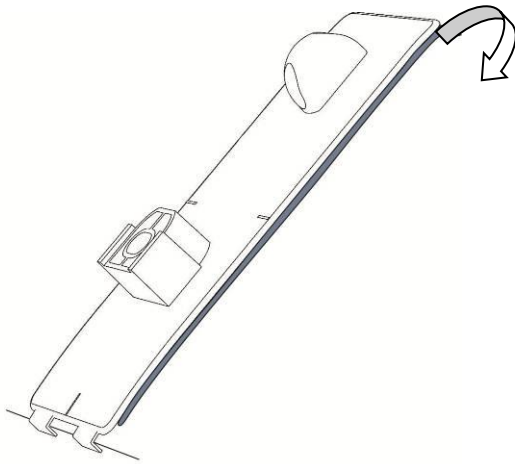


- Remove the pedestals and thoroughly clean the outlined area with the alcohol wiping pad. Wipe dry with a clean cloth or paper towel.



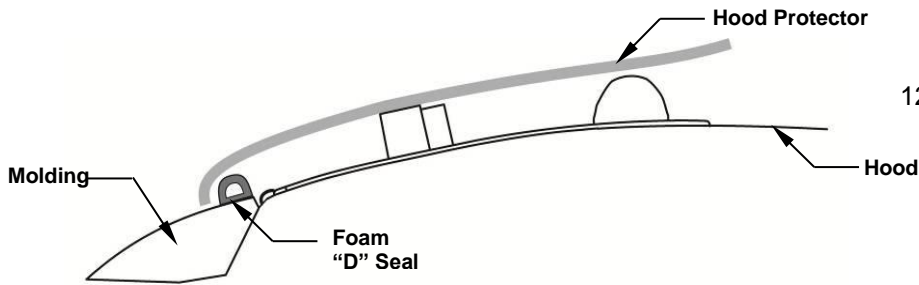
- Use alcohol wiping pad to clean the area on the grill where the Foam “D” seal attaches (shaded area in illustration). Wipe dry with a clean cloth or paper towel.

Note: The Foam “D” seal is used to block the air flow between the grill and the hood protector. The hood protector does not sit on the Foam “D” seal when correctly installed.

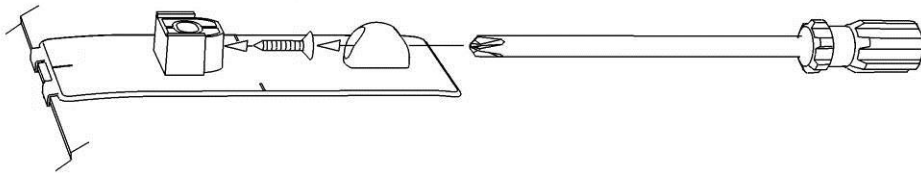


11. Remove the protective backing from the adhesive on the pedestals

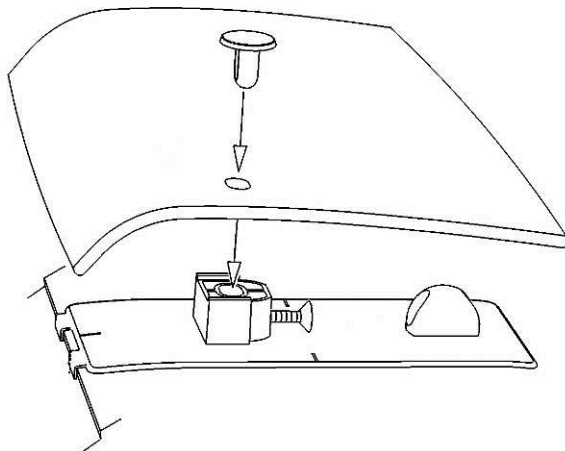
- Hook the fingers on the pedestal over the hood edge and rotate the unit into position.
- Remove the masking tape and “wet out” the tape to the hood surface by applying pressure with your thumb around the surface of the pedestals.



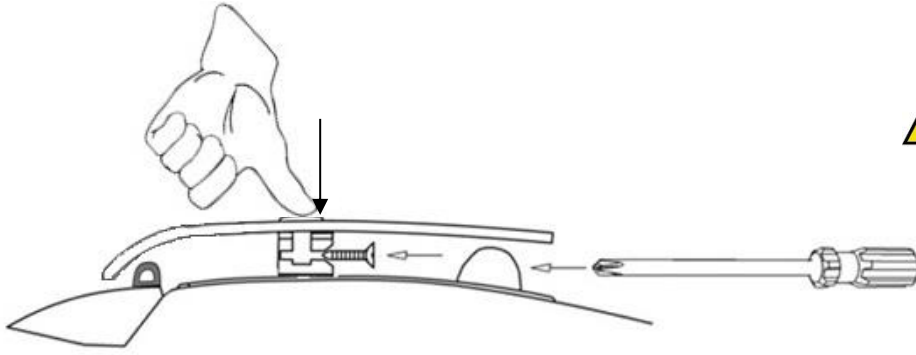
12. Install the Foam “D” seal as shown in the illustrations. It may be necessary to trim the Foam “D” seal to the correct length. Refer to illustration in step #10



13. Start a screw into each pedestal a few turns. The tip of the screw must not protrude into the hole where the attachment pin will install later.



14. At the pedestal locations, drop a pin through the protector and into the pedestal.

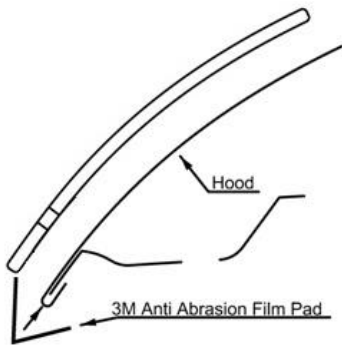


15. To ensure proper seating of the components, maintain slight pressure on the pin while simultaneously tightening the screw.

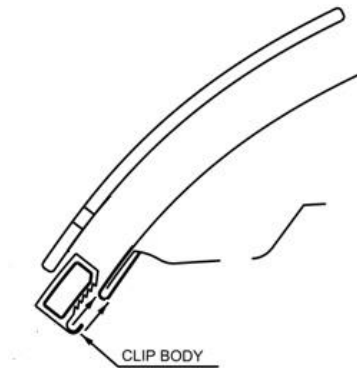


CAUTION: Be sure to take care not to scratch or damage the hood surface while tightening the screw.

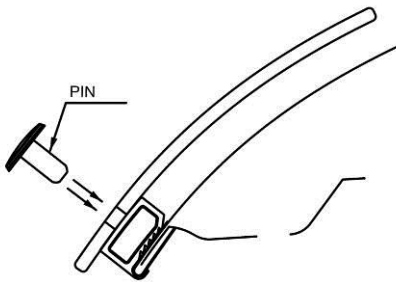
NOTE: Proper installation of the adhesive pedestal system requires the use of a #2 Phillips screwdriver, preferably with a long shaft. Use of the correct screw driver will facilitate a trouble free installation. Do not attempt to use #1 or smaller Phillips screwdriver or any type of electric screwdriver. **See illustration.**



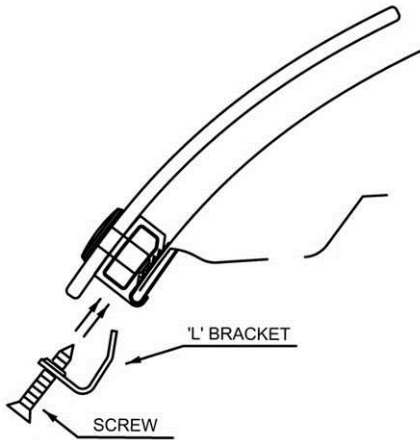
16. Peel and fold two (2) of the anti-abrasion film pads in half over the hood edge aligned with the inner holes of the protector in the area above the headlights.



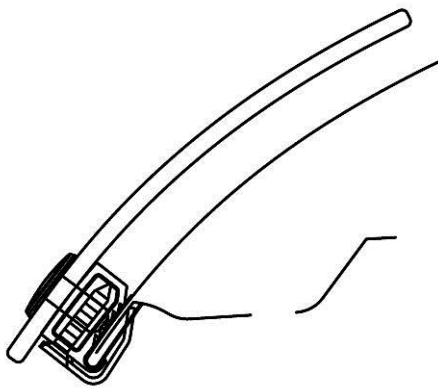
17. Place a clip over each of the anti-abrasion film pads on the edge of the hood.



18. Insert a pin through the protector into each of the clips.



19. Insert a screw through each 'L'- bracket and into a clip.



20. Make sure all the components are well seated together; the protector is centered on the hood, and then tighten the screws into the clips.

21. *Repeat steps 16-20 for the outer holes.*

CARE INSTRUCTIONS

Clean the protector with a mild soap and water solution or plastic cleaner only. Do not use chemicals or solvents. Periodically check to make sure the Bumpons are in place and the protector is secure. Avoid using automatic car washes. Do not pull on the protector when opening or closing the hood.