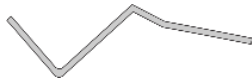


FORM FIT Hood Protector Installation Instructions

HD 20B17 Toyota Yaris Hatchback 2017-up

Kit Contents



Metal mounting
Bracket. Type B (2)

#6 x 5/8" Flat Head
Screws (6)



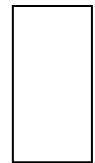
Metal mounting
Bracket. Type A (2)

Pins (6)



Standard Clip Bodies (2)

Anti-abrasion
Film Pads (4)



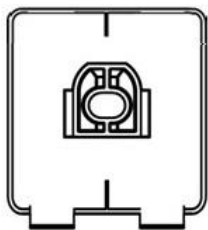
Modified Clip Bodies –
hooks removed (2)

Large Bumpons (4)



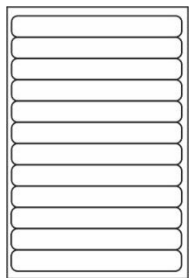
Push Type Retainer (2)

Small Bumpons (3)



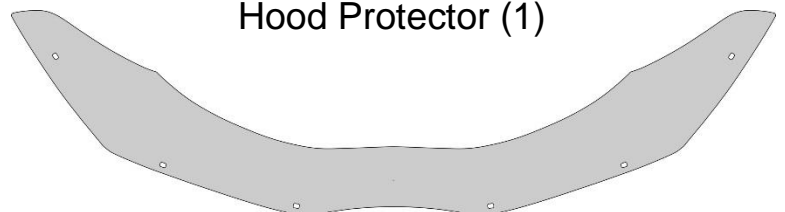
Adhesive Pedestals (2)

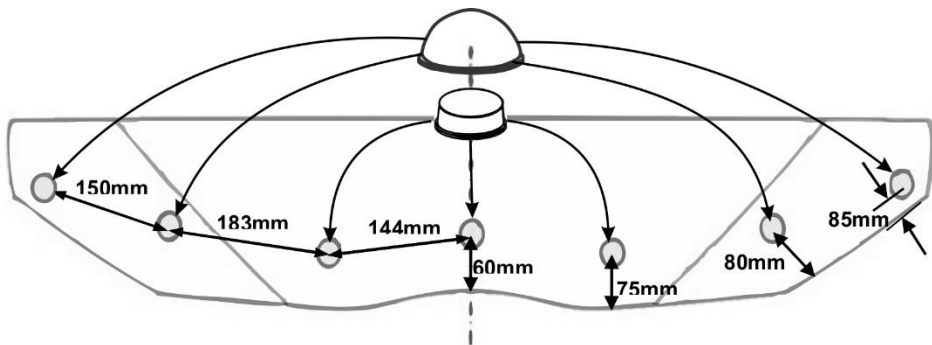
Alcohol Wiping Pad (1)



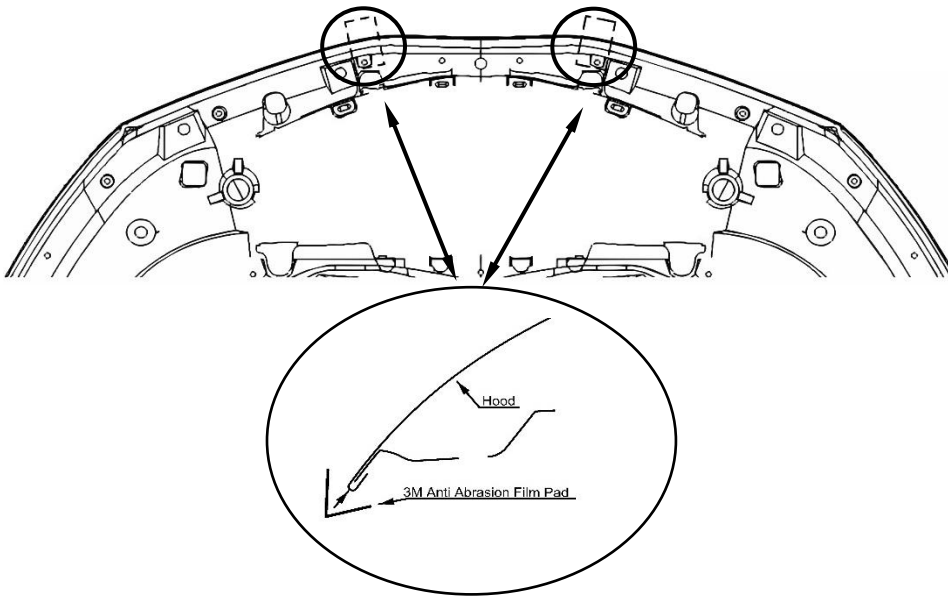
Tape strip sheet (1)

Hood Protector (1)

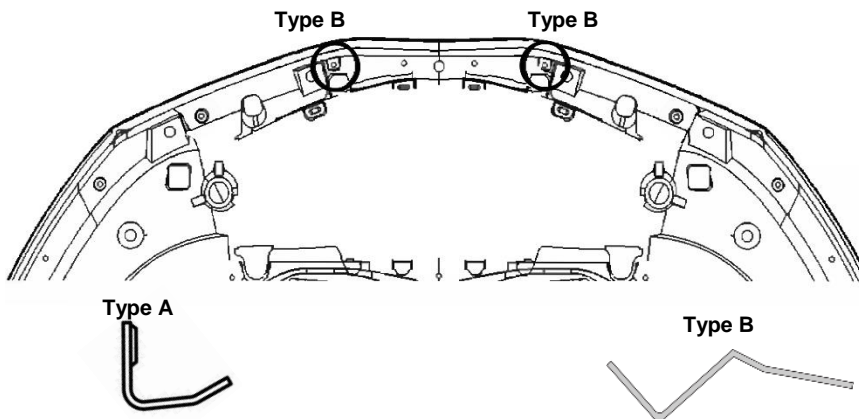




Looking at underside of the hood
Anti-abrasion Pad Locations



Metal Bracket Guide



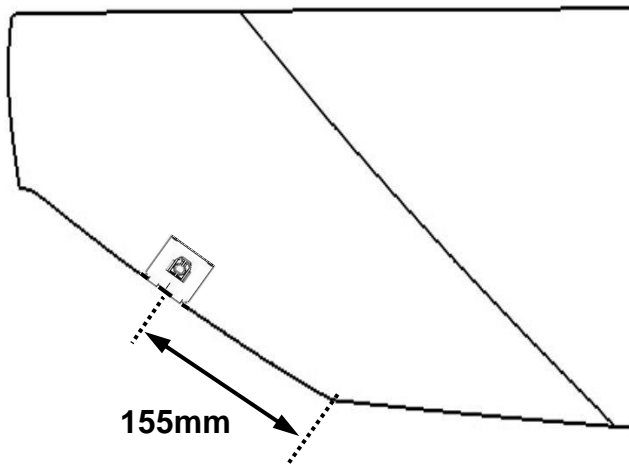
Installation Procedure

1. Be sure that the hood is clean and dry inside and out.
2. Install the seven (7) bump-ons as shown. **Attention: The bump-ons must be installed on the hood, not on the deflector!** If the bump-ons are installed on the deflector, they may wear through the paint.

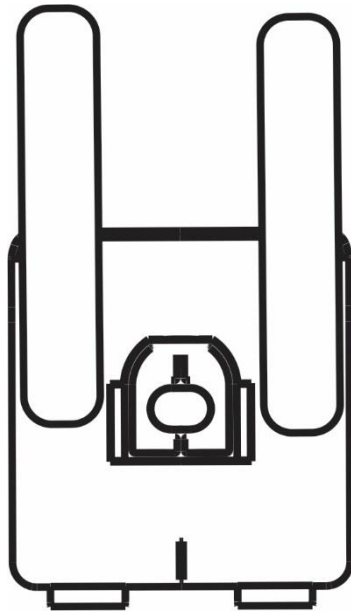
NOTE: Locate the center of the hood using a tape measure and place the bump-ons as shown in the illustration.

3. Open the hood of the vehicle. Peel and fold anti-abrasion film pads in half over the edge of the hood, in the two (2) locations shown.

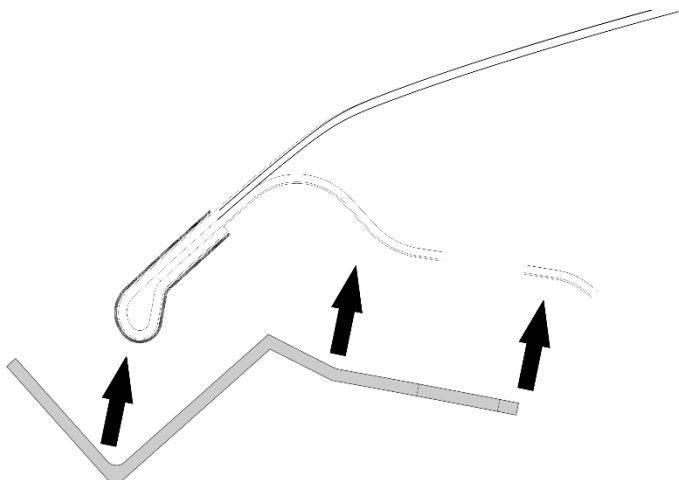
NOTE: Use the metal Bracket Guide to determine where the Metal Brackets are installed in following steps. See *Illustration*.



4. The positions of the pedestals are shown in **illustration**. Use the center mark on the leading edge of the pedestal for accurate measuring. The fingers incorporated on the leading edge of the pedestal will help ensure the correct position relative to the hood edge. When correctly positioned the fingers should contact the leading edge of the hood.

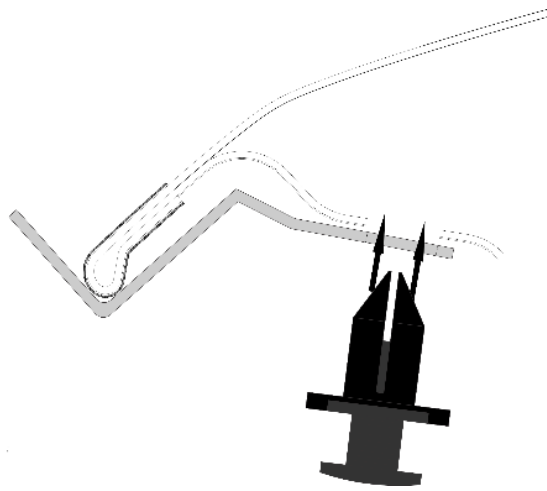


5. Dry fit the adhesive pedestals using tape strips to hold them in position.

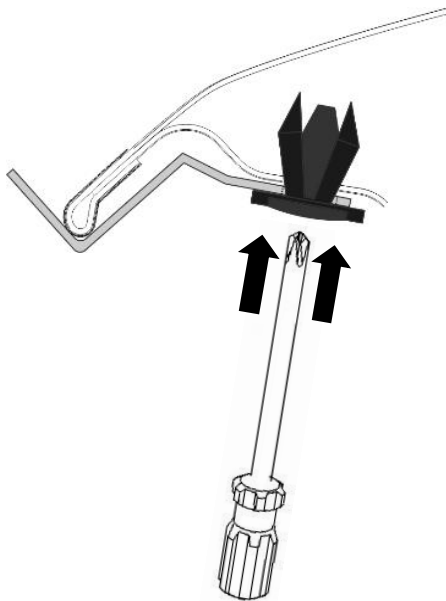


6. Install Type B Metal Brackets over the hood edge in their correct positions.

Align the hole in the bottom leg of the bracket with the round hole in the hood. **See Illustration.**

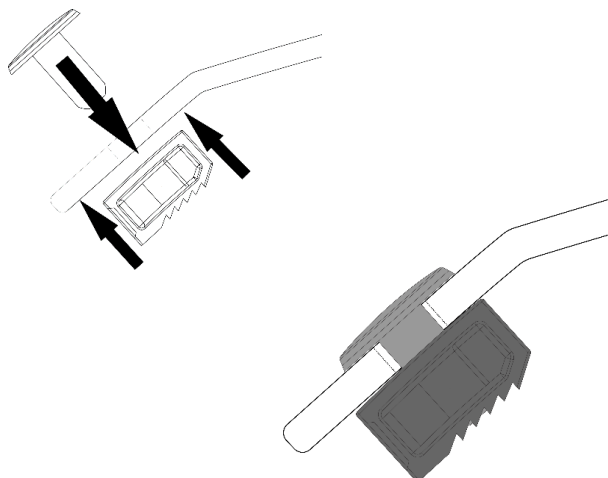


7. Insert a push-type retainer through the metal bracket and into the round hole in the hood. **See Illustration.**



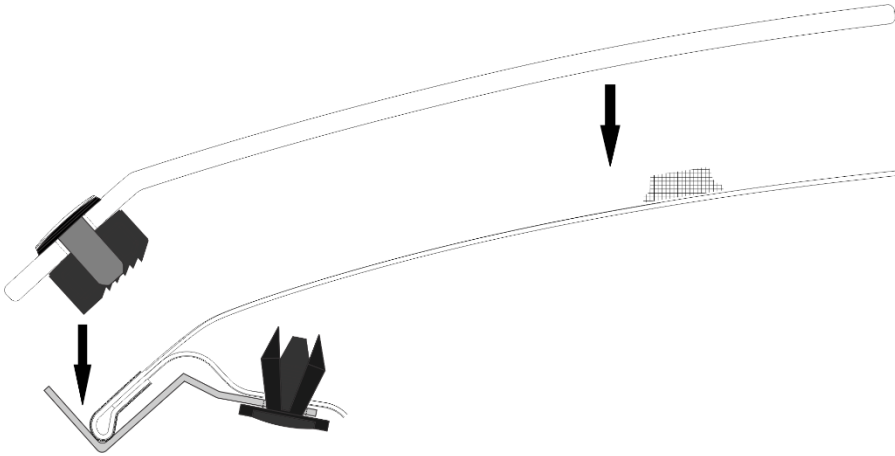
8. Once the push-type retainer is seated in the metal bracket, push the center pin into place. Use a Phillips head screwdriver and seat the center pin with a sharp push.

NOTE: Engaging the center pin of the “push-type retainer” is best accomplished by placing a #2 Philips drive screwdriver into the recess of the center pin and pushing the pin followed by tightening 90 degrees to fully engage the retainer into the hood. The retainer can be removed by unthreading the center pin with a Philips screwdriver, however initial installation is best done using the “push” method described above.

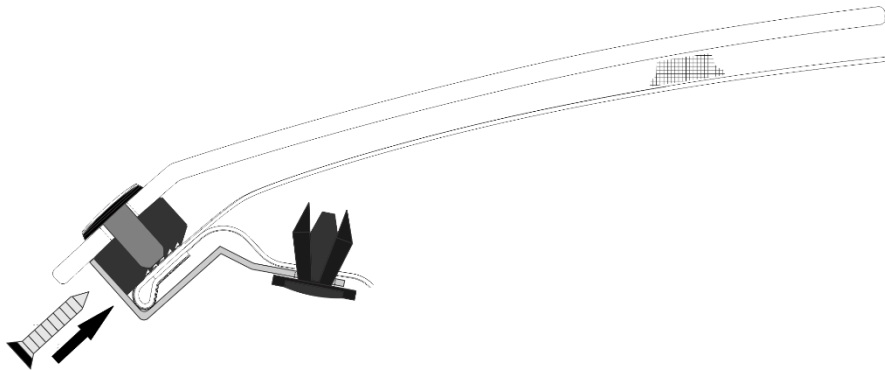


9. Place a pin through each of the two middle holes in the hood protector and into one of the modified clip bodies as shown.

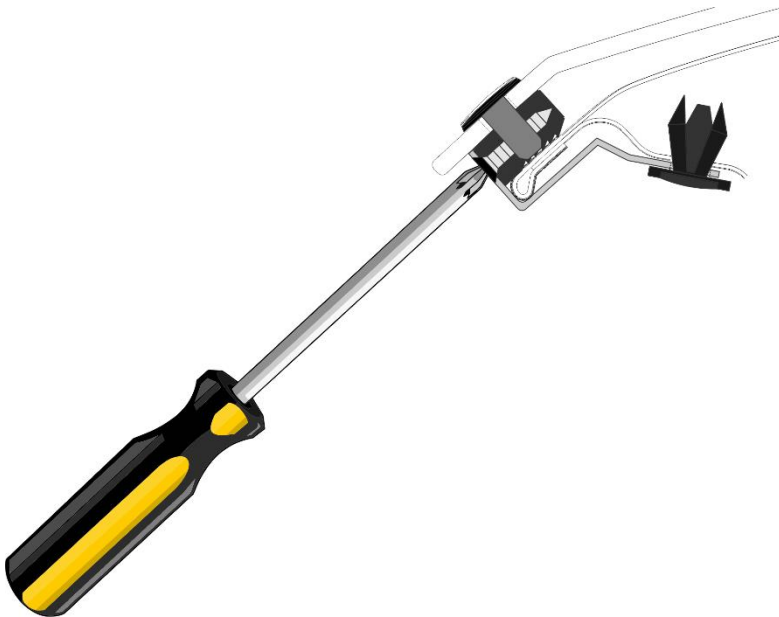
Note: The orientation of the clip body relative to the edge of the hood protector.



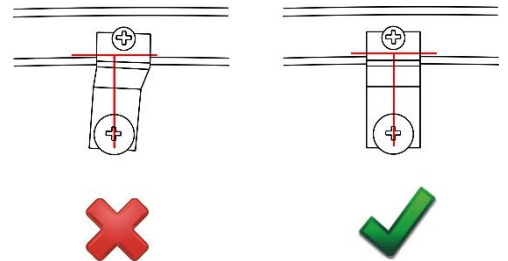
10. With both pins and clips bodies in place, lower the hood protector onto the hood and align the holes in the metal brackets with the holes in the clip bodies.

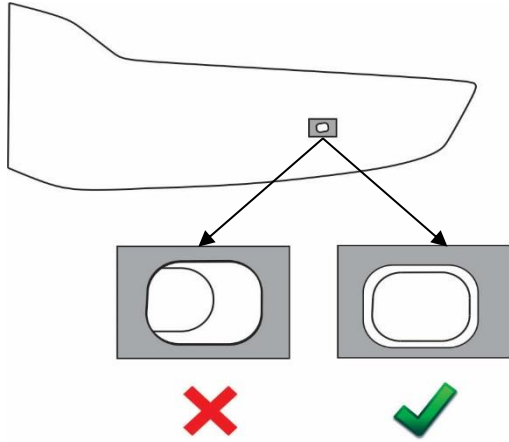


11. Insert a #6 x 5/8" screw through the metal bracket and into each clip body.

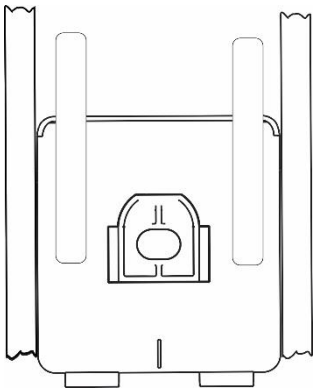


12. Ensure all metal brackets and clip bodies are properly aligned and tighten the screws into each of the clip bodies. **Note the orientation of the metal brackets. They should be perpendicular to the hood edge. See illustration.**

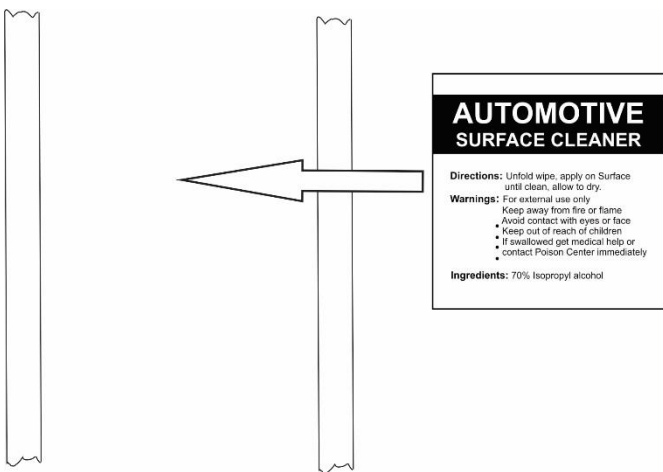




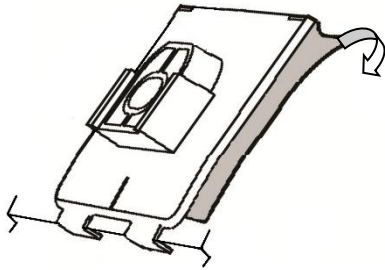
13. Confirm correct positioning of the pedestals, by adjusting the pedestal position on the hood to align with the holes in the hood protector.



14. Remove the hood protector, and outline the perimeter of the pedestals with masking tape to help final installation.

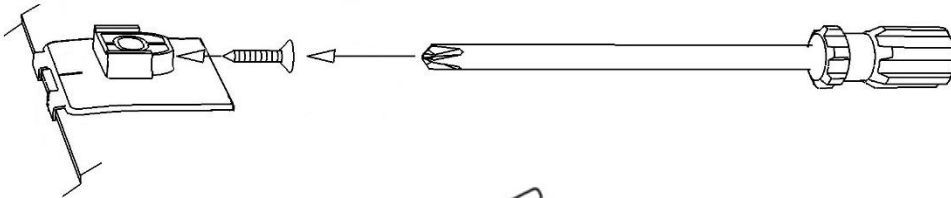


15. Remove the pedestals and thoroughly clean the outlined area with the alcohol wiping pad. This will insure all wax, finger prints and oils are removed from the hood surface in the bonding area.

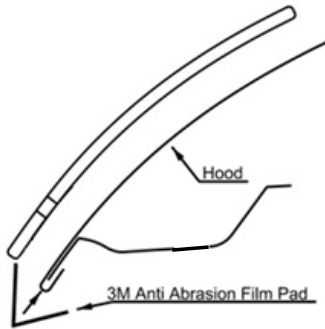


16. Remove the protective backing from the adhesive on the pedestals and install on the hood surface.

Tip: Hook the fingers on the pedestal over the hood edge and rotate the unit into position. After installation, remove the masking tape and “wet out” the tape to the hood surface by applying pressure with your thumb around the surface of the pedestals.

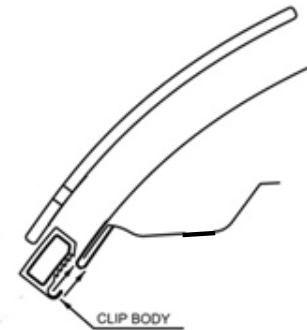


17. Start a #6 x 5/8 flat head screw into each pedestal a few turns. The tip of the screw must not protrude into the hole where the attachment pin will install later.

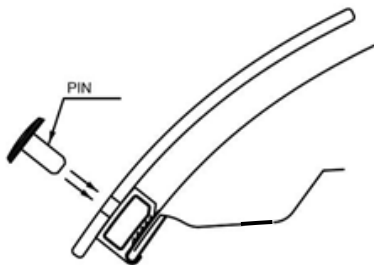


18. Reinstall the hood protector following steps 9 through 12.

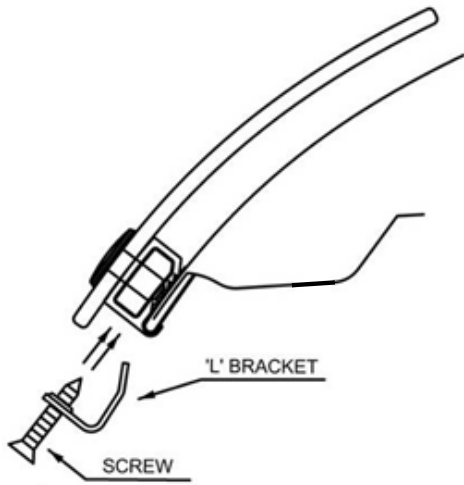
19. Locate the two (2) unused holes in the hood protector. Wrap an anti-abrasion film pad over the hood edge at these locations.



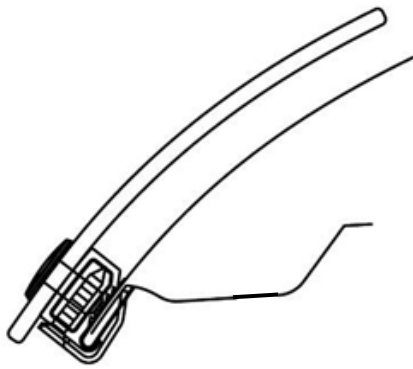
20. Place a clip body over the anti-abrasion film pads.



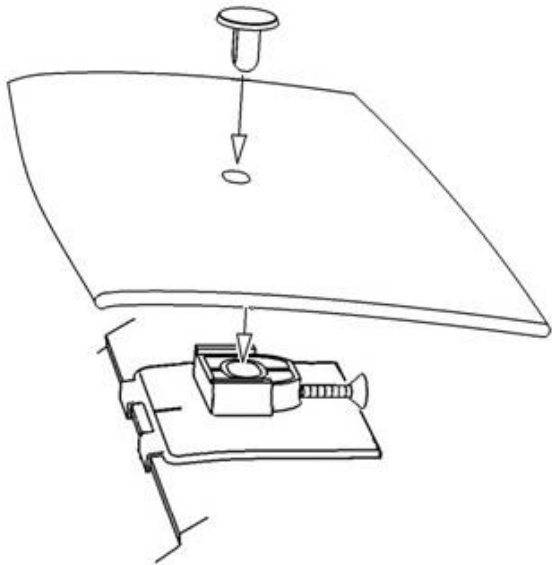
21. Insert a pin through the protector into each of the clip bodies.



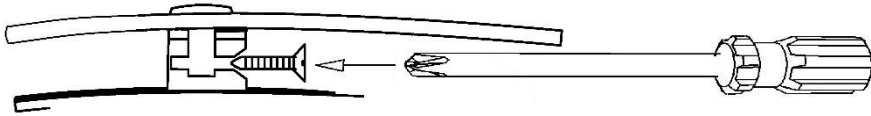
22. Insert a #6 x 5/8" screw through an 'L'- bracket (Type A) and into the clip body.



23. Make sure all the components are well seated together; the protector is centered on the hood, and then tighten the screws into the clips.



24. At the pedestal locations, drop a pin through the protector and into the pedestal.



25. Maintain slight pressure on the pin, to ensure proper seating of the components, while simultaneously tightening the screw.



CAUTION: Use caution not to damage the hood surface while tightening the screws.

NOTE: Proper installation of the adhesive pedestal system requires the use of a #2 Phillips screwdriver, preferably with a long shaft. Use of the correct screw driver will facilitate a trouble free installation. Do not attempt to use #1 or smaller Phillips screwdriver or any type of electric screwdriver. **See illustration.**



CAUTION: Do not expose the vehicle/hood protector to extreme environments (weather) or car washes for a 24 hour period following the installation to allow the adhesive pedestals sufficient time to reach full bond strength

-On some vehicles it may be necessary to adjust the hood bumpers and/or latch for proper clearance.

CARE INSTRUCTIONS

-Clean the protector with a mild soap and water solution or plastic cleaner only. Do not use chemicals or solvents. Periodically check to make sure the bumpers are in place and the protector is secure. Avoid using automatic car washes. Do not pull on the protector when opening or closing the hood.