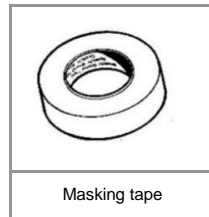
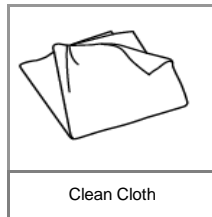
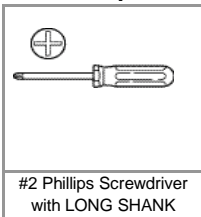


### Basic Required Hand Tools



### INSTALLATION

- Make sure the vehicle is clean and completely dry before installation.
- This product uses a 3M adhesive that requires installation and curing temperatures of 15° to 43°C (60° to 110°F) for 1 hr to develop maximum adhesion to the hood surface. Failure to install this product at the proper temperature or allow adequate curing time before use is not covered under warranty.
- Proper installation of the adhesive pedestal system requires the use of a #2 Phillips screwdriver, preferably with a long shaft. The shaft of the screwdriver needs to fit through the hole in the pedestal. Use of the correct screw driver will facilitate a trouble free installation. Do not attempt to use #1 or smaller Phillips screwdriver or any type of electric screwdriver.

### CARE

Hand clean the protector using a mild soap and water solution or plastic cleaner only.

Avoid automatic car-wash equipment where a brush and/or soft cloth come in contact with the hood protector. Touch-less style automatic car-wash equipment is less likely to harm the hood protector.

### SERVICE

Periodically check to confirm the protector is securely attached to the hood.

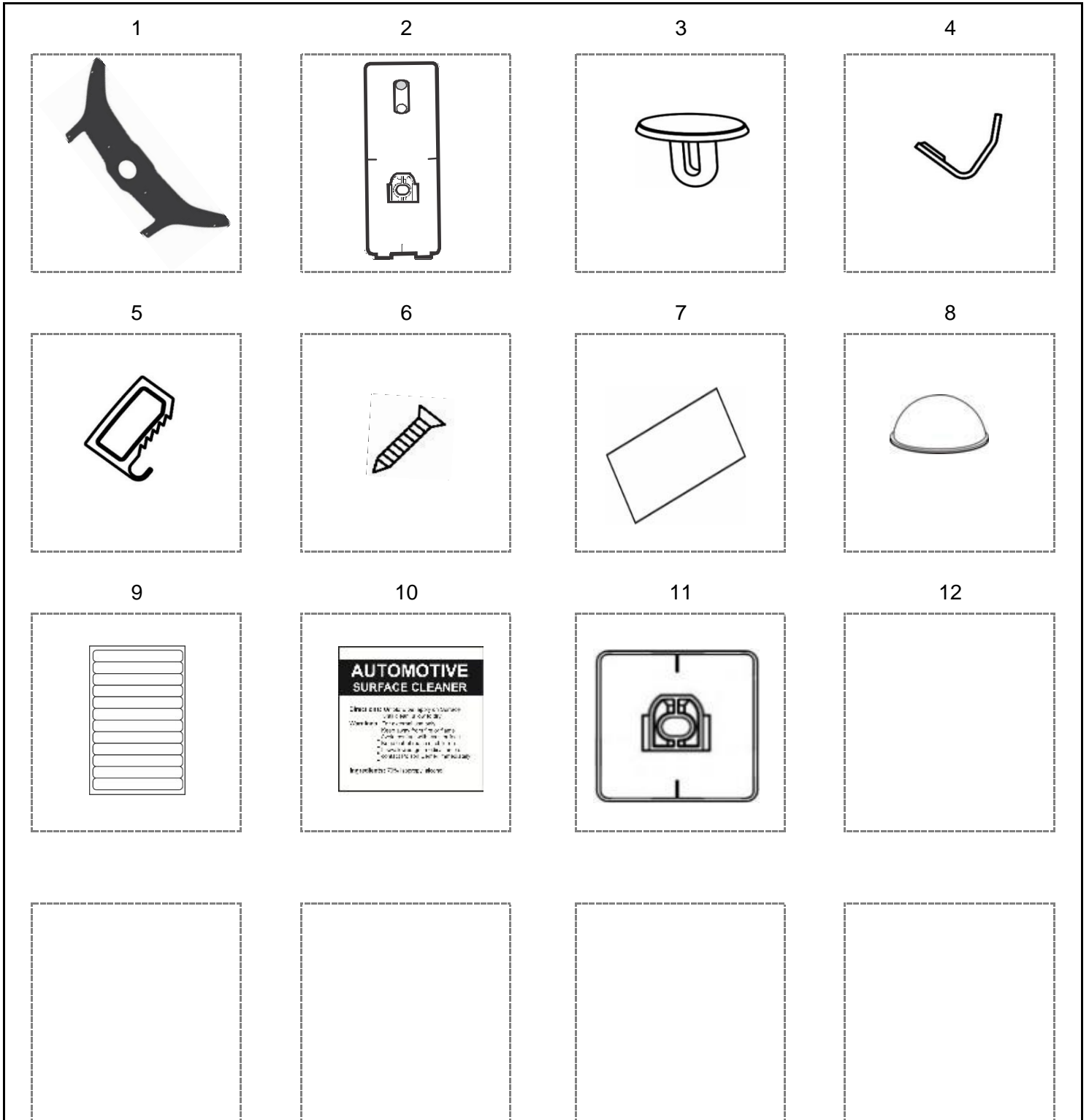
### WARNING

Do not pull/push on the protector when opening/ closing the hood.

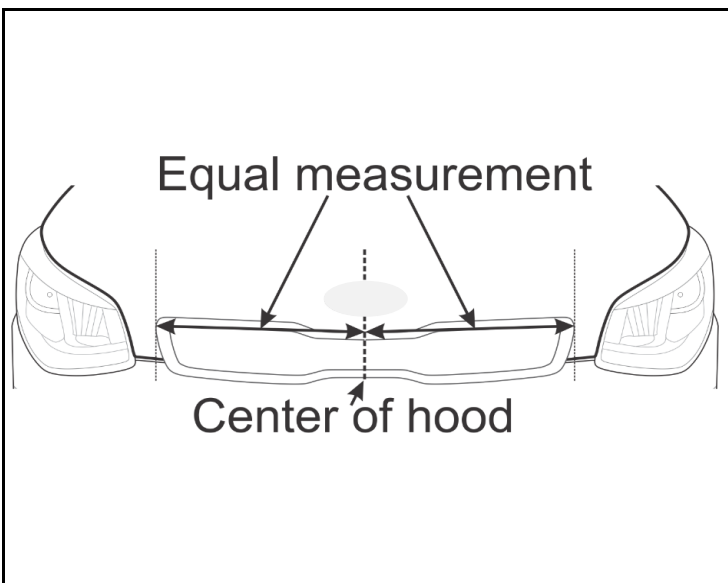
### NOTE

***On some vehicles it may be necessary to adjust the hood bumpers and/or latch for proper clearance.***

## Kit Contents

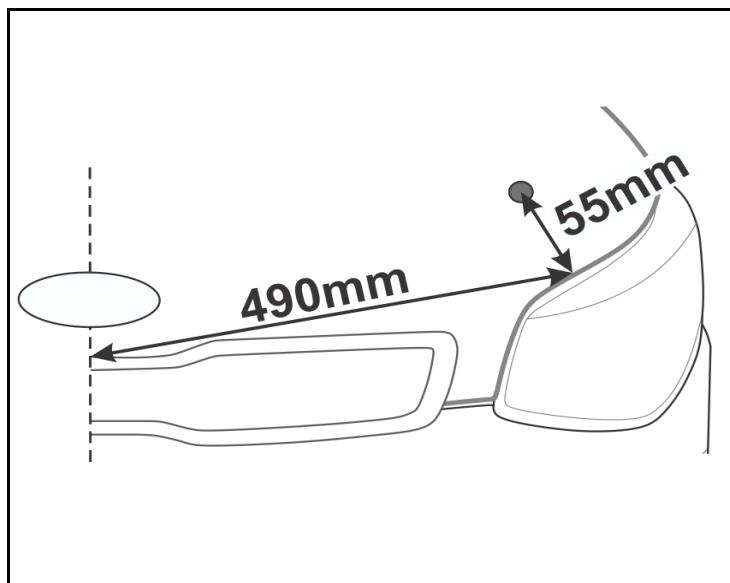


#	Qty.	Description	#	Qty.	Description	#	Qty.	Description
1	1	Hood guard	7	2	Abrasion pads			
2	2	Large mounting pedestals	8	2	Bumpons			
3	6	Pins	9	1	Re-useable tape strips			
4	2	Metal "L" brackets	10	1	Automotive surface cleaner			
5	2	Clip bodies	11	2	Small mounting pedestals			
6	6	Screws						



**Find hood center** 1

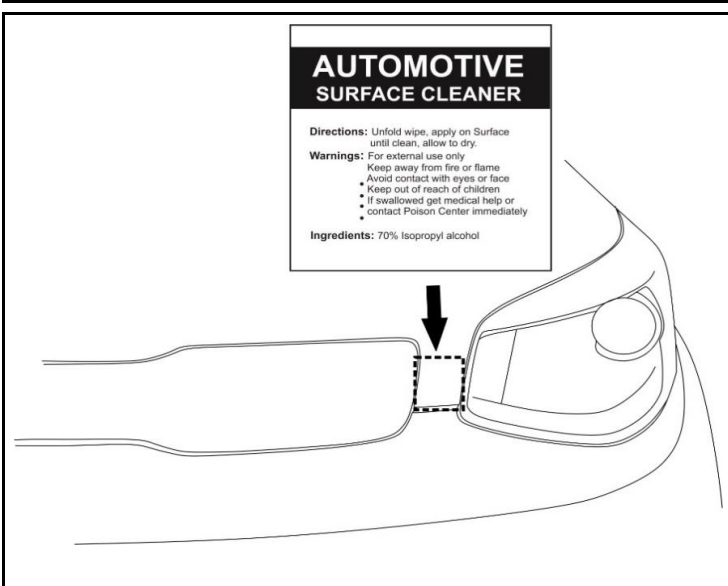
**NOTE** Using the tape measure and grease pencil find and mark the center line of the hood, where the hood and molding meet with the hood surface.  
 Tip: Measure the width of the molding attached to the hood from its widest points. Divide the measurements by two and mark the center point. Reconfirm your mark by measuring from each end of the molding to the center mark; both measurements must be the same.



**Install bumpons** 2

**NOTE** Install the bumpons as shown.

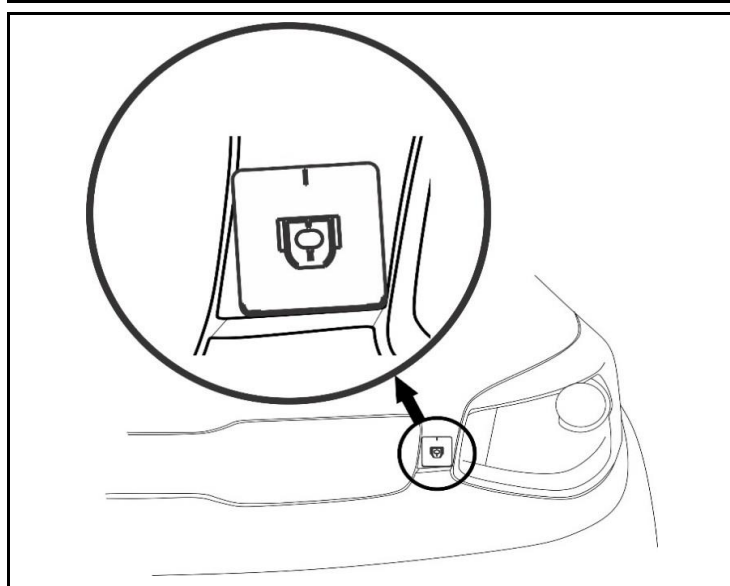
**WARNING** Bumpons must be installed on hood. If they are installed on the hood protector they may wear through the paint on the hood!!



**Clean small pedestal mounting area** 3

**NOTE** Using the surface cleaner, clean the area indicated in the illustration. Wipe dry with a clean cloth or paper towel.

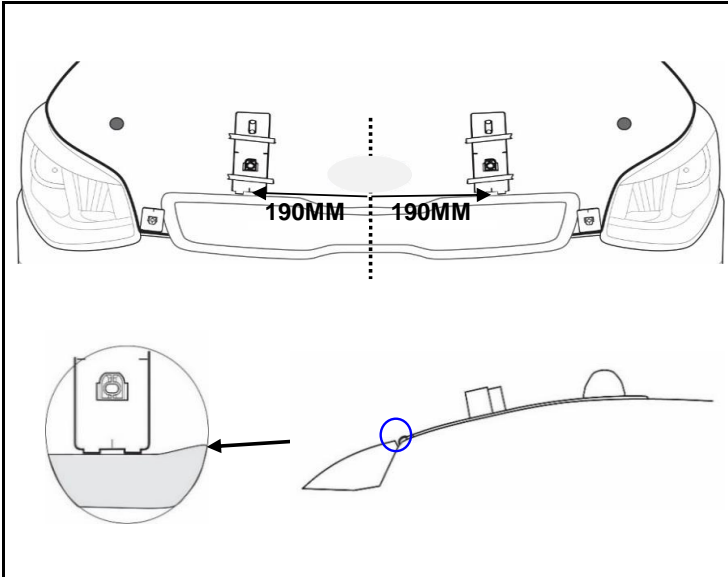
**WARNING** It is important to remove all surface contaminants. The tape on the pedestals will last the life of the car if the surface is properly cleaned.



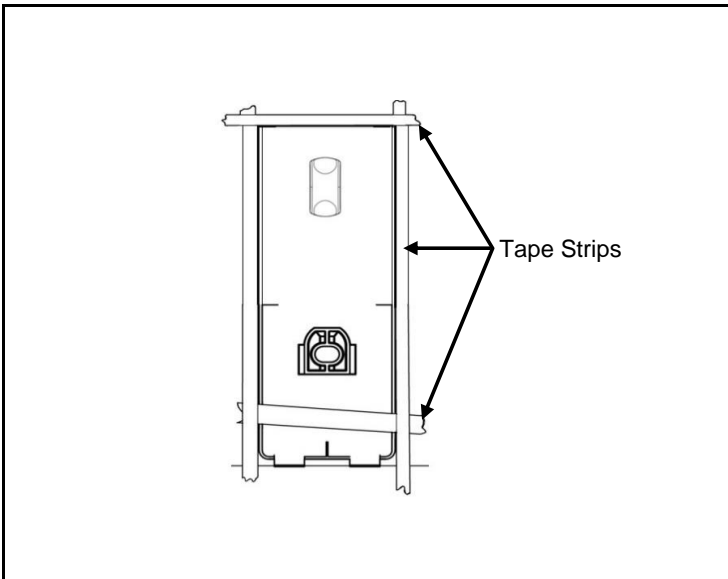
**Place pedestals** 4


**NOTE** One at a time, peel the backing off the small pedestals and place them as illustrated. Note the orientation of the pedestal - it should sit flush with the bottom of the hood "fang" and against the outboard edge at the bottom corner. The screw hole should point down.

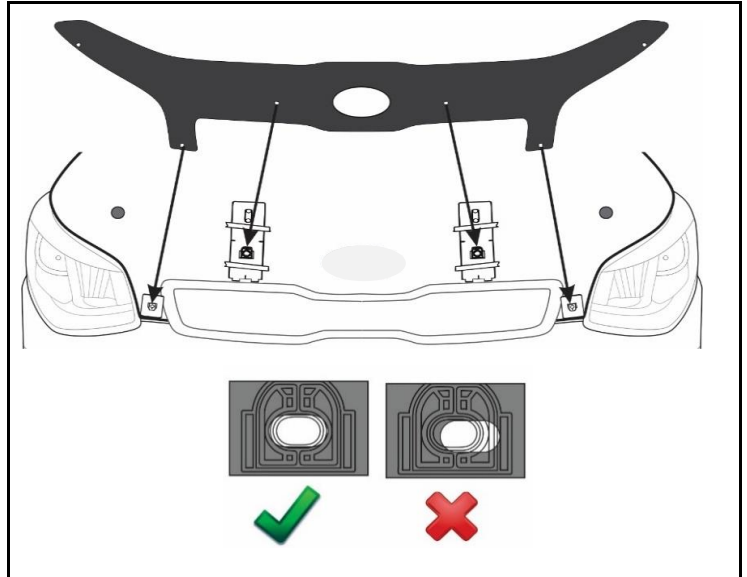
**WARNING** Note! It is vital to place the pedestals correctly the first time. Once the adhesive touches the surface of the hood, it is very difficult to remove.



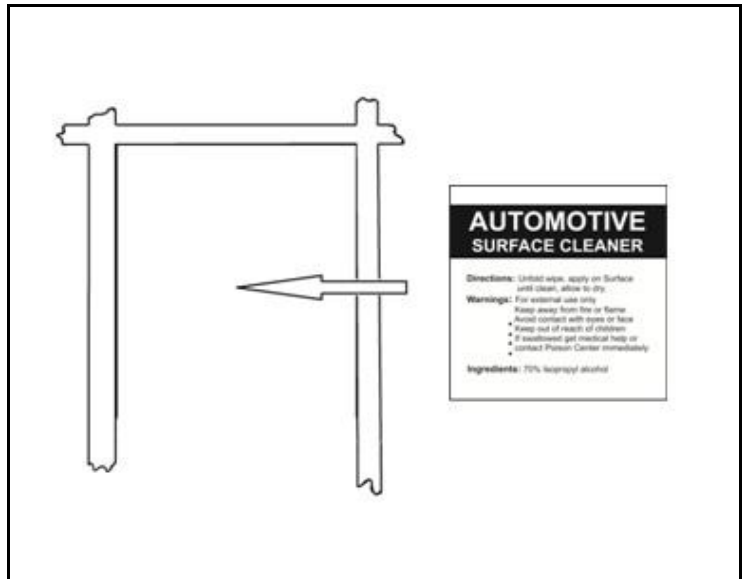
	<b>Temporarily place pedestals in position</b>	<b>5</b>
<b>NOTE</b>	<p>Mark the position of the 2 large pedestals relative to the center mark position. Temporarily install the pedestals with the tape strips provided.</p> <p><b>Note: It is important that the position of the pedestals relative to the molding attached to the hood edge is accurate. The fingers on the pedestals sit against the trailing edge of the molding. Use the centre notch on the pedestal for accurate measuring. See illustration.</b></p>	




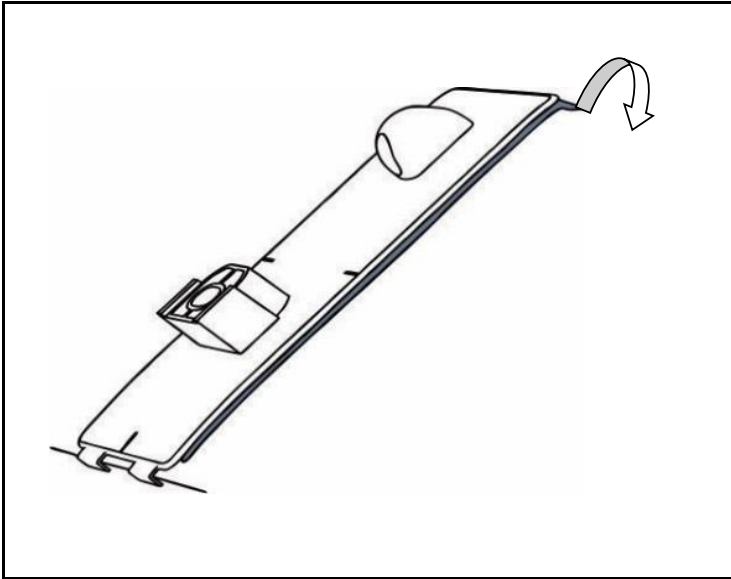
	<b>Outline pedestals</b>	<b>7</b>
<b>NOTE</b>	<p>Remove the hood deflector, and outline the perimeter of the large pedestals with masking tape or the repositionable tape strips supplied to help final installation.</p>	
	<p> <b>Proper marking and prepping of all pedestal locations is critical. Accurately installing them in the exact position is very important. Once attached, the pedestals are very difficult to remove - place them correctly the first time!</b></p>	



	<b>Test fit hood protector</b>	<b>6</b>
<b>NOTE</b>	<ul style="list-style-type: none"> <li>Place the hood protector on the pedestals to confirm proper positioning.</li> <li>Ensure the holes in the protector align with those in the pedestals.</li> <li>If necessary, reposition the pedestals so all attachment positions are correct and the protector is well centered.</li> </ul>	

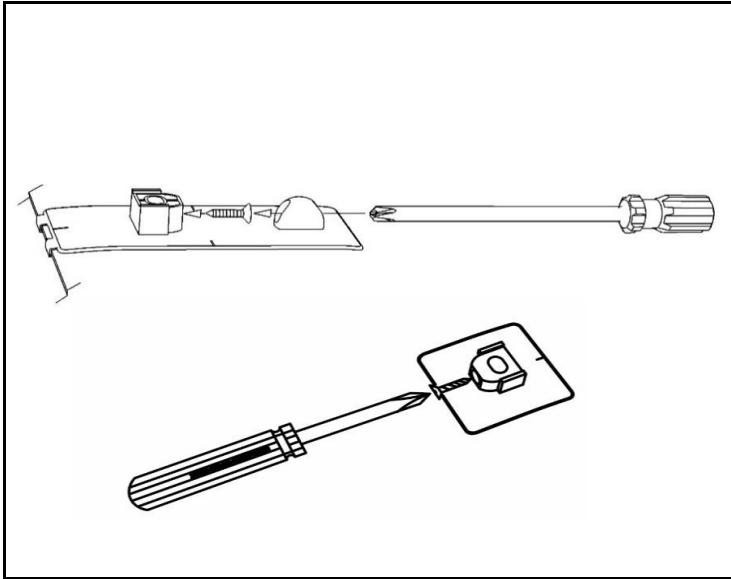


	<b>Clean the surface</b>	<b>8</b>
<b>NOTE</b>	<p>Remove the pedestal and thoroughly clean the outlined area with the surface cleaner. Wipe dry with a clean cloth or paper towel. This will insure all wax, finger prints and oils are removed from the hood surface in the bonding area.</p>	
	<p> <b>Important! Proper preparation of the hood surface will ensure maximum adhesive bond.</b></p>	



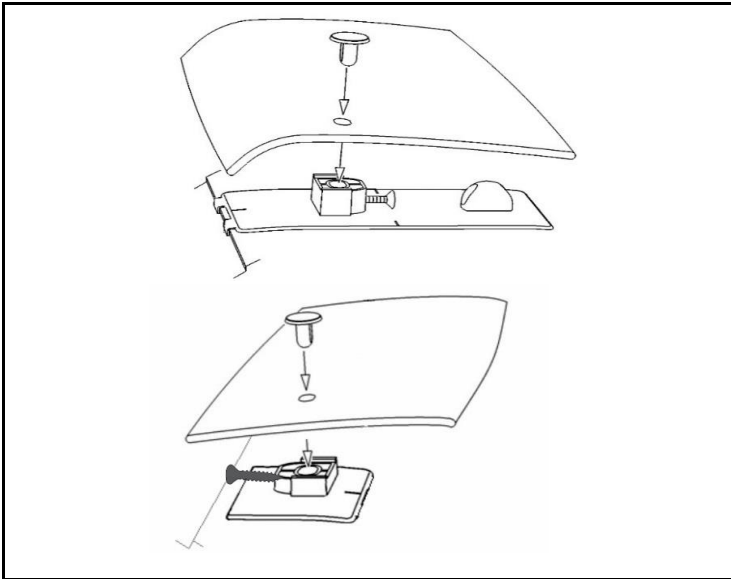
**Install pedestals** 9

**NOTE** Remove the protective backing from the adhesive on the pedestals and install on the hood surface.  
Tip: Place the fingers on the pedestal over the crease in the hood and against the trailing edge of the grill and rotate the unit into position. After installation, remove the tape strips and “wet out” the adhesion on the pedestal to the hood surface by applying pressure with your thumb around the surface of the pedestals.



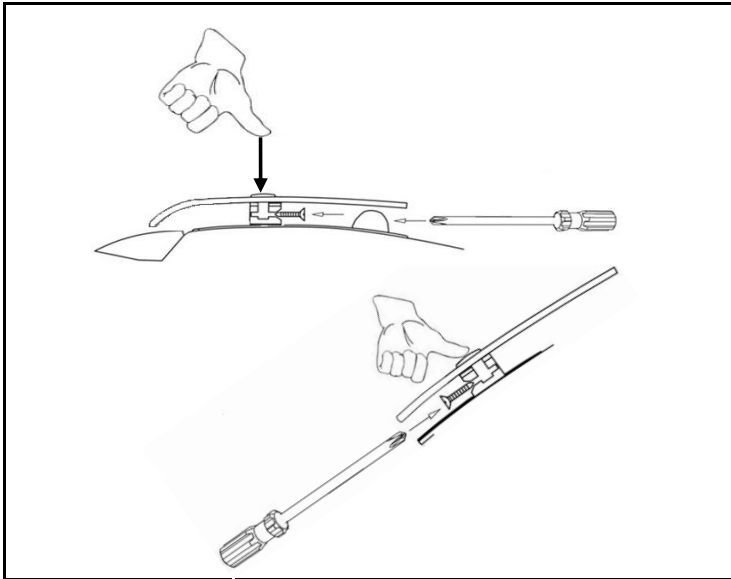
**Start screw in pedestal** 10

**NOTE** Start a screw into each pedestal a few turns. The tip of the screw must not protrude into the hole where the attachment pin will install later.



**Install pins** 11

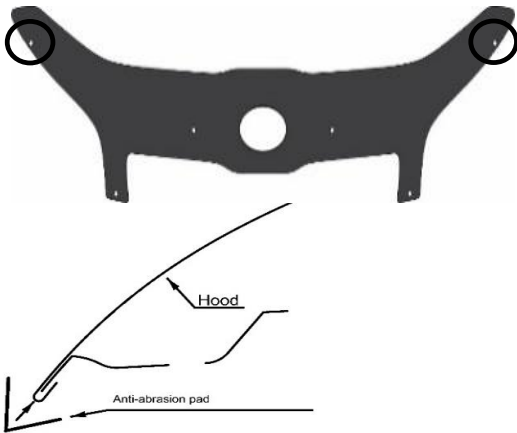
**NOTE** Place the deflector on the pedestals and drop a pin through the deflector and into the pedestal at both locations.



**Partially tighten screws** 12

**NOTE** To ensure proper seating of the components, maintain slight pressure on the pin, while simultaneously tightening the screw on all of the adhesive pedestals.

**NOTE:** Only tighten screw a few turns so that the pin is held in but there is some movement of the deflector. This helps with the installation of the components above the headlights.

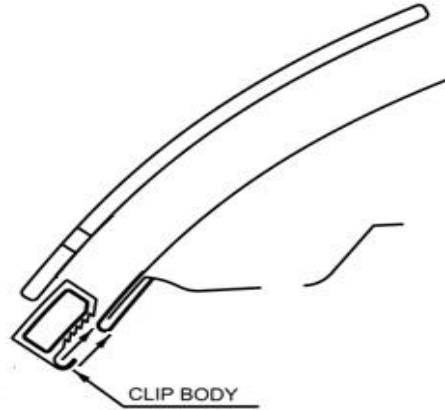


**Stick on abrasion pads**

13

N  
O  
T  
E

Peel and fold a small abrasion film pad in half over the hood edge aligned with one of the two holes in the deflector over the headlights as shown.

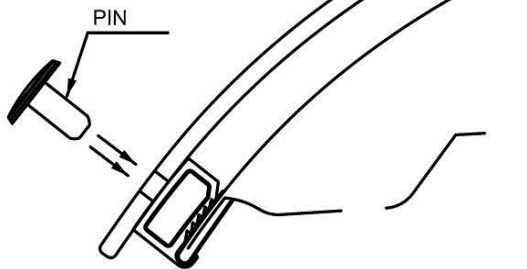


**Install clip body**

14

N  
O  
T  
E

Place a clip body over the anti-abrasion film pad on the edge of the hood.

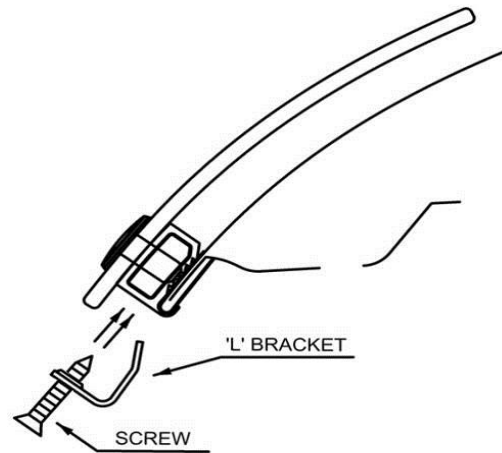


**Install pin**

15

N  
O  
T  
E

Insert a pin through the protector into the clip body.

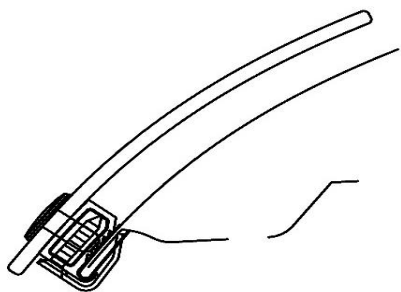


**Install screw**

16

N  
O  
T  
E

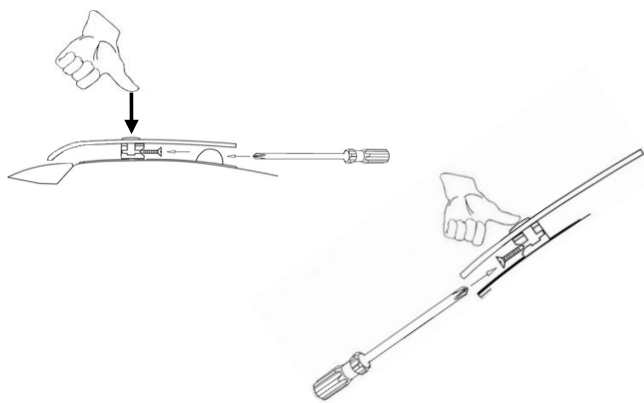
Insert a screw through an 'L'- bracket and into the clip body.



**Complete assembly** 17

Make sure all the components are well seated together; the protector is centered on the hood, and then tighten the screw into the clip body.

**N  
O  
T  
E**



**Finish tightening pedestals** 18

Confirm hood protector is centered and tighten the screws into the mounting pedestals from step 12.

**N  
O  
T  
E**