











FORM FIT

Accessory Installation	Vehicle Model	Accent	Accessory	Hood Protector
	Model Year	2018~	Difficulty	(B)
	Part No.	HD 10D18		

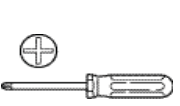


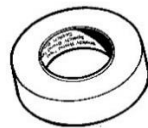
Note: Difficulty stated above reflects the minimum level of expertise required to install the accessory.

(A) Customer (B) Dealer Technician (C) Master Technician

Instructional Symbols / Definitions

	Denotes warnings that may lead to serious physical injury or vehicle damage.		Denotes quality processes to be checked prior to moving to the next step.	Denotes safety equipment required to be used such as a mask, safety glasses, gloves, and hearing protection.	
	Denotes cautions to be taken to avoid physical injury or electronic component damage.		Denotes specific tools that are necessary to complete the step.		
	Denotes cautions to be taken to avoid vehicle and component damage.		Denotes instructional steps necessary to complete the process.		
				Mask	Safety Glasses
				Gloves	Hearing Protection

Basic Required Hand Tools

		
#2 Phillips Screwdriver with LONG SHANK	Clean Cloth	Tape measure
		
Masking tape		

Notes to the Installer:

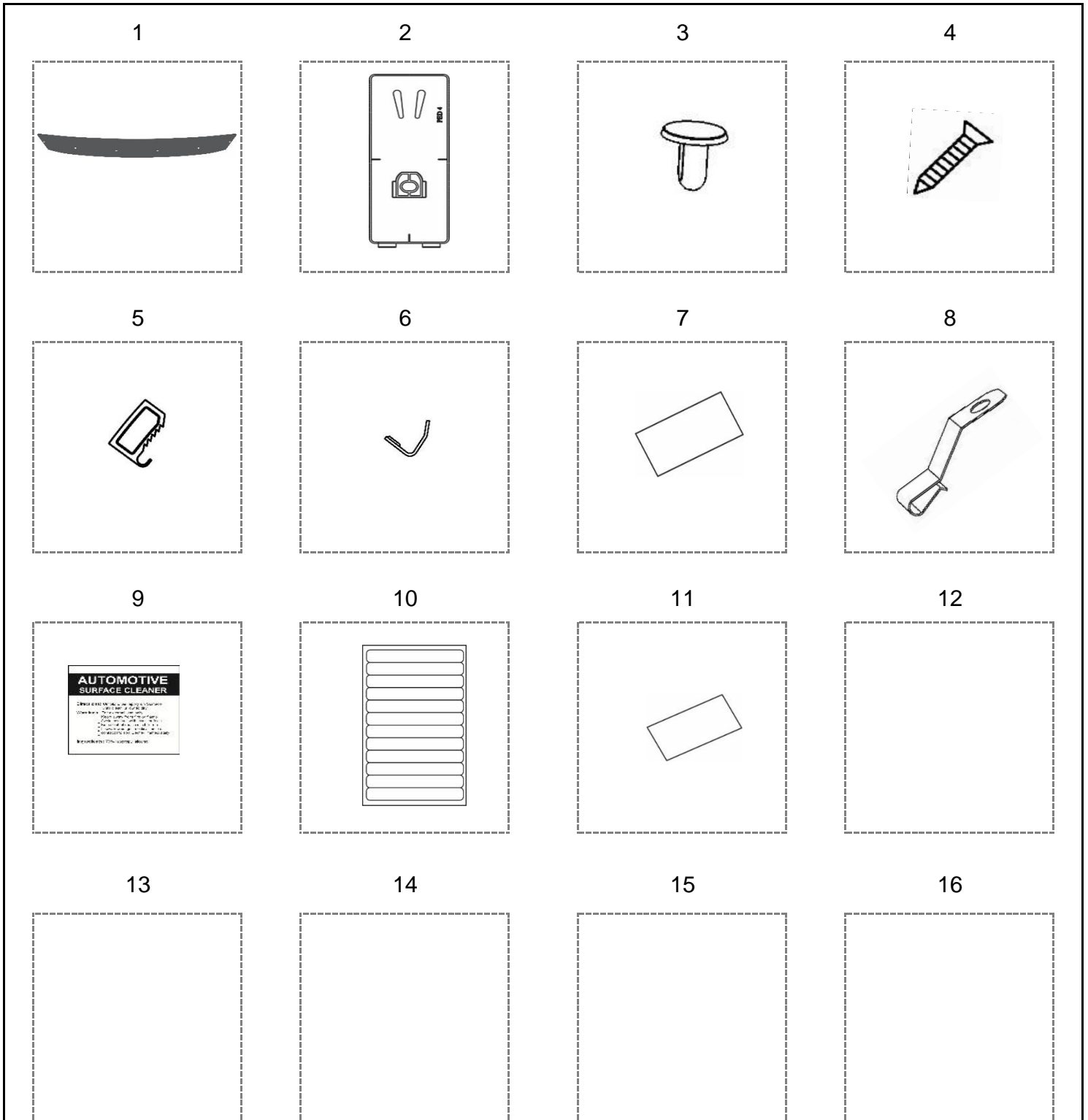
Read the entire installation manual prior to beginning the installation of the accessory.

To prevent vehicle damage, never place tools on top of painted surfaces, seats, dash pad, console or floor carpet / mat.

Always wear appropriate safety gear to include gloves and eye protection when required.

Make sure the vehicle is clean and completely dry before installation.

Make sure the vehicle is at room temperature or warmer: 15° to 43°C (60° to 110°F) before starting installation and that it remains at room temperature for 1 hour afterward to develop maximum adhesion of the 3M tape to the vehicle's surface.



#	Qty.	Description	#	Qty.	Description	#	Qty.	Description
1	1	Hood guard	7	2	Large abrasion pads	13		
2	5	Adhesive pedestals	8	5	Metal mounting brackets	14		
3	7	Pins	9	1	Surface Cleaner	15		
4	7	Screws	10	1	Re-useable tape strips	16		
5	2	Hood edge clips	11	5	Small abrasion pads			
6	2	"L" brackets	12					

INSTALLATION

- Make sure the vehicle is clean and completely dry before installation.
- This product uses a 3M adhesive that requires installation and curing temperatures of 15° to 43°C (60° to 110°F) for 1 hr to develop maximum adhesion to the hood surface. Failure to install this product at the proper temperature or allow adequate curing time before use is not covered under warranty.
- Proper installation of the adhesive pedestal system requires the use of a #2 Phillips screwdriver, preferably with a long shaft. The shaft of the screwdriver needs to fit through the hole in the pedestal. Use of the correct screw driver will facilitate a trouble free installation. Do not attempt to use #1 or smaller Phillips screwdriver or any type of electric screwdriver.

CARE

Hand clean the protector using a mild soap and water solution or plastic cleaner only.

Avoid automatic car-wash equipment where a brush and/or soft cloth come in contact with the hood protector. Touch-less style automatic car-wash equipment is less likely to harm the hood protector.

SERVICE

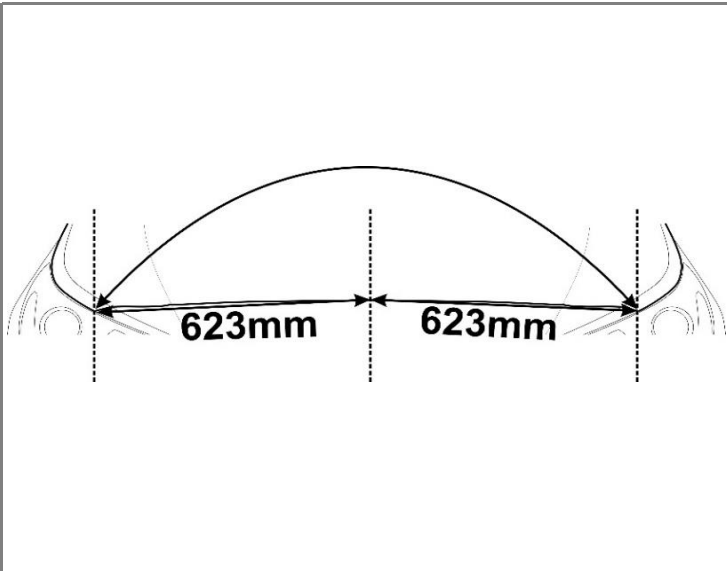
Periodically check to confirm the protector is securely attached to the hood.

WARNING

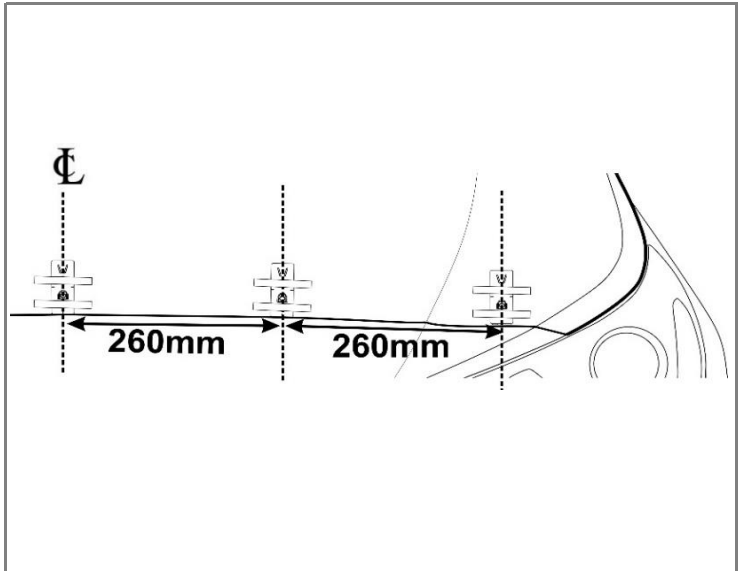
Do not pull/push on the protector when opening/closing the hood.

NOTE

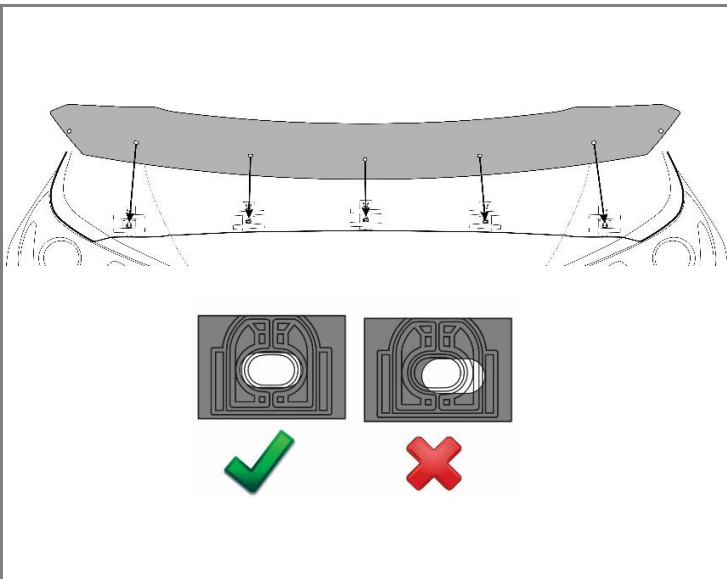
On some vehicles it may be necessary to adjust the hood bumpers and/or latch for proper clearance.




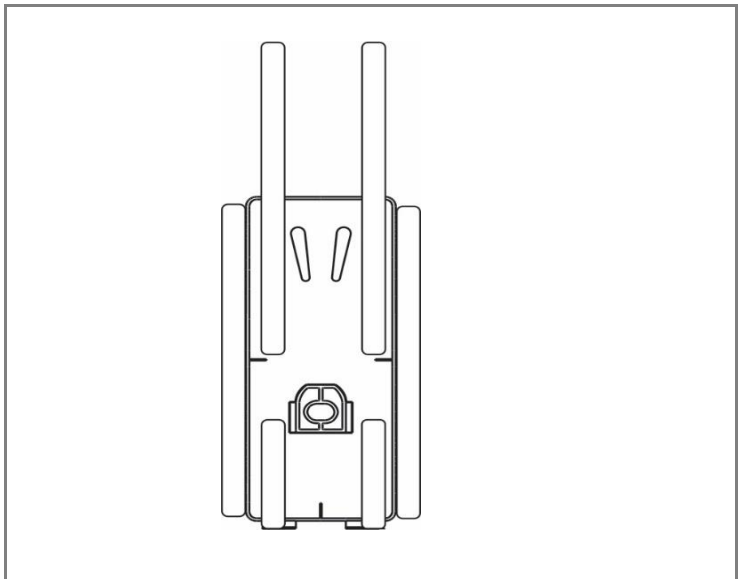
	Find center	1
N O T E	Approximate the center of the hood and place a piece of masking tape at the edge. Measure to opposite hood corners. When the measurements are equal, place a mark on the masking tape. The measurement given is provided as an approximation. The actual measurement may differ.	



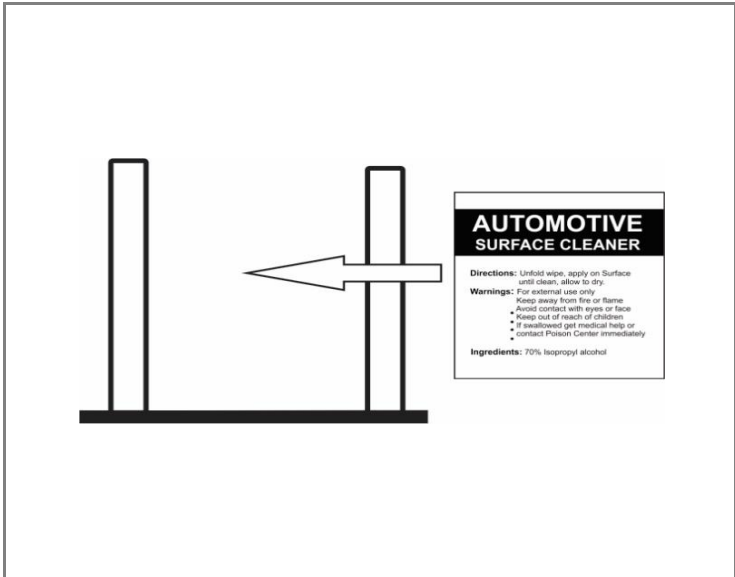
	Temporarily install pedestals	2
N O T E	Dry fit the pedestals using tape strips supplied or masking tape to temporarily hold them in position. The positions of the pedestals are shown in the illustrations. Use the center line on the leading edge of the pedestals for accurate measuring. The pedestals install perpendicular to the hood edge. See step 6 for clarification.	



	Confirm pedestal placement	3
N O T E	Place the hood protector on the pedestals to confirm proper positioning. Ensure the holes in the deflector align with those in the pedestals. If necessary, reposition the pedestals so all attachment positions are correct and the protector is well centered.	
		




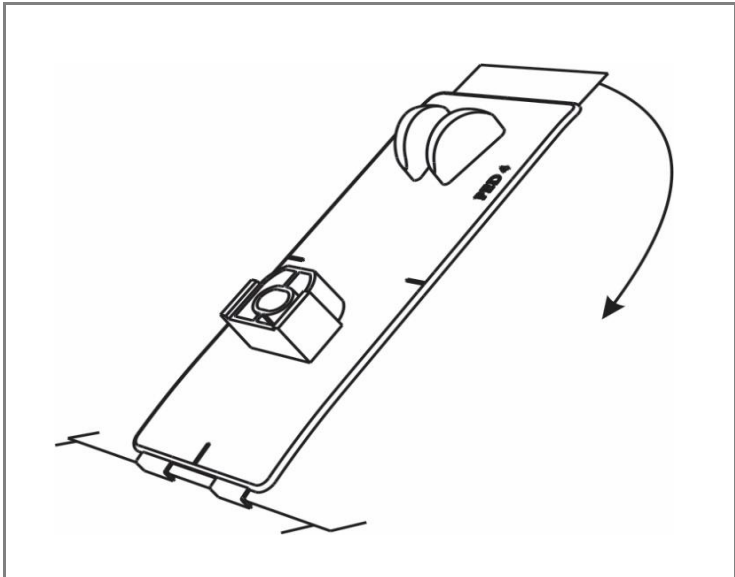
	Outline pedestals	4
N O T E	Remove the hood deflector, and outline the perimeter of the pedestals with masking tape or the repositionable tape strips supplied to help final installation.	



Clean the surface 5

NOTE Remove the pedestals and thoroughly clean the outlined area with the surface cleaner. This will insure all wax, finger prints and oils are removed from the hood surface in the bonding area.

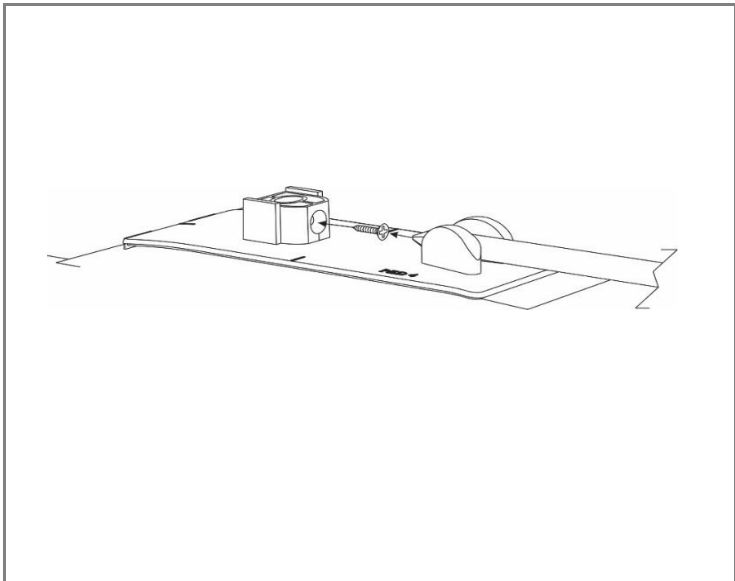
 **Important! Proper preparation of the hood surface will ensure maximum adhesive bond.**



Permanently attach pedestals 6

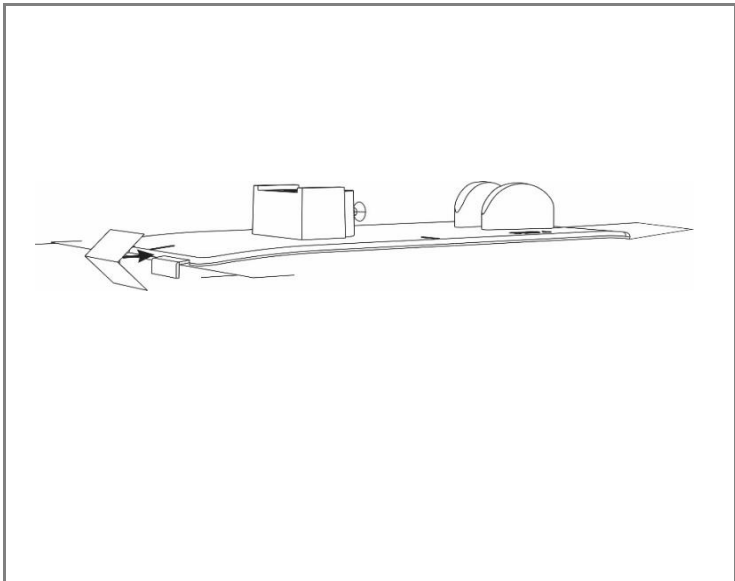
NOTE Remove the red backing from the adhesive and install on the hood surface. Tip: Hook the fingers on the pedestals over the hood edge and rotate the unit into position. After installation, remove the tape strips and “wet out” the pedestal base by applying pressure with your thumb around the surface of the pedestals.

 **Important: “wetting out” of the pedestal will ensure maximum adhesive bond.**



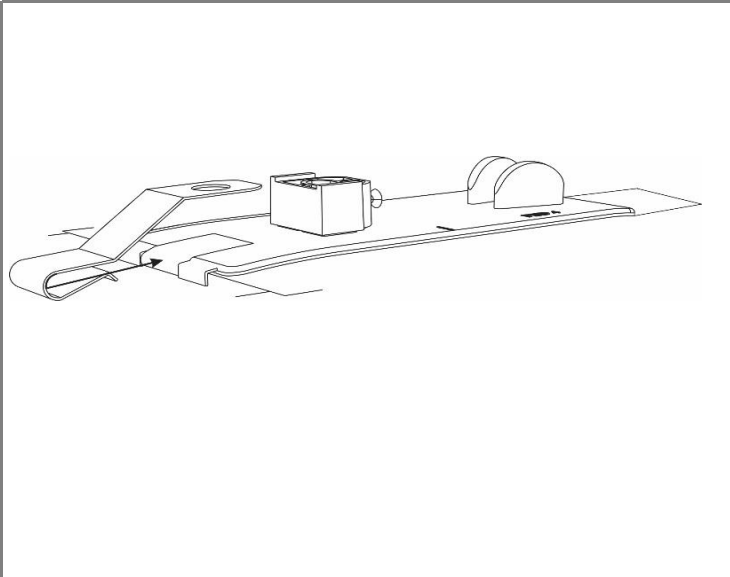
 **Start screws** 7

NOTE Start a screw into each pedestal a few turns. The tip of the screw must not protrude into the hole where the attachment pin will install later.



Install anti-abrasion film 8

NOTE Peel and fold the small abrasion film pads in half over the hood edge between the fingers on each of the five (5) mounting pedestals.

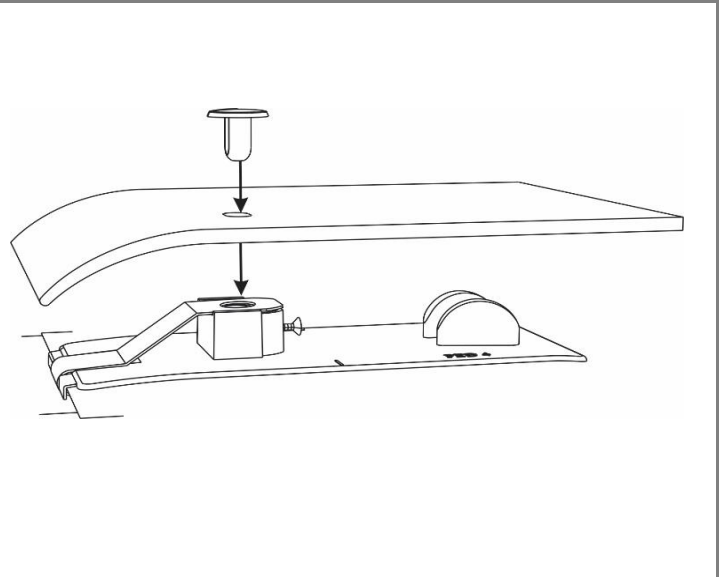


Install metal brackets

9

NOTE

Push metal mounting brackets over the hood edge aligned with the anti-abrasion pads. Ensure the bracket is fully seated over the hood edge and the hole in the bracket is aligned with the hole in the pedestal.

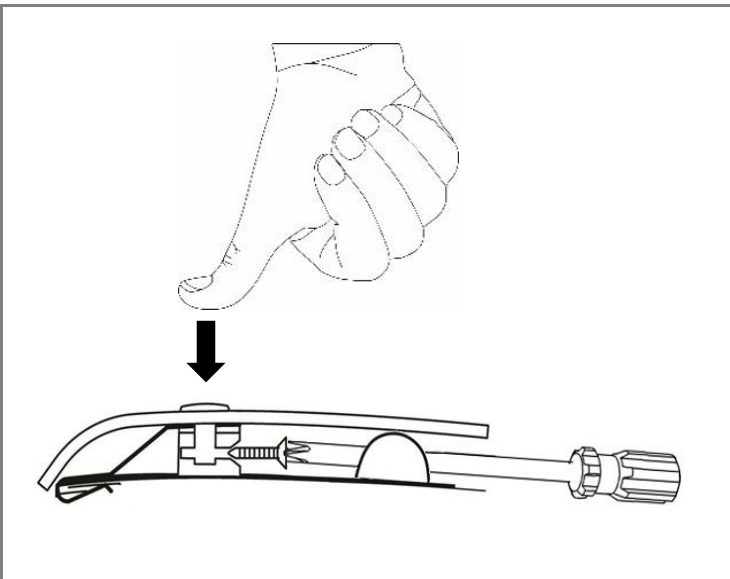


Position protector, install pins

10

NOTE

Place the protector on the pedestals and starting at the center position, install a pin through the protector and into the pedestal.



Partially tighten the screws

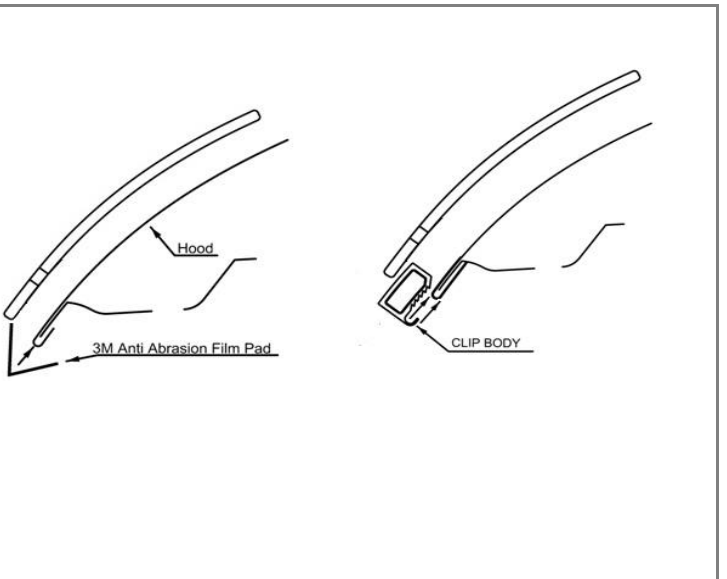
11

NOTE

Maintain slight pressure on the pin to ensure proper seating of the components, while simultaneously tightening the screw a few turns. Repeat for remaining pedestal locations.



NOTE: Only tighten screws a few turns so the pins are held in place but there is still some movement of the protector as this assists in final alignment of all attachment positions.

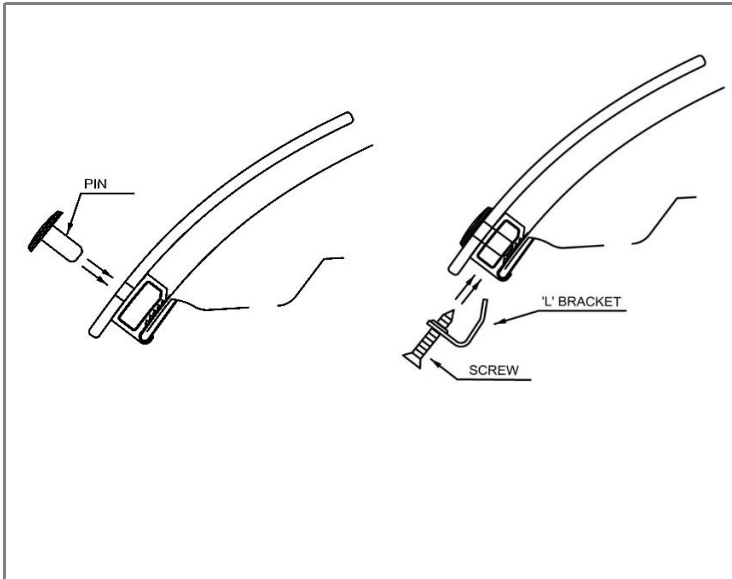


Install hood edge clips (1)

12

NOTE

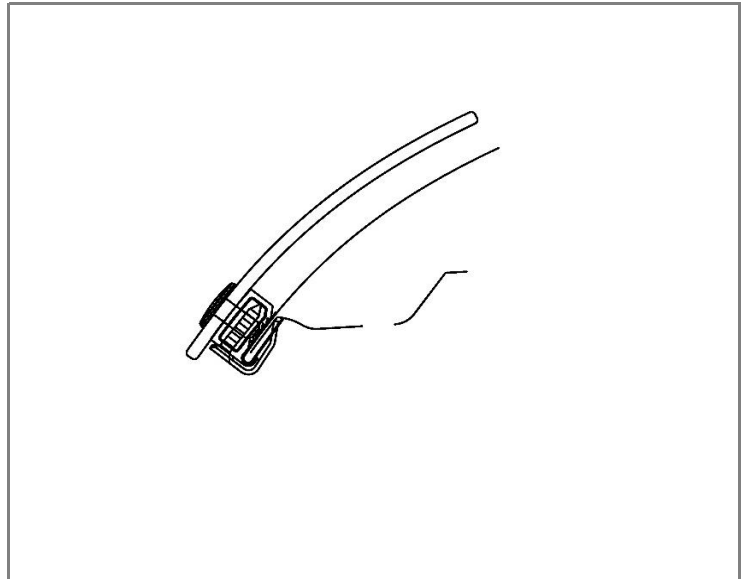
1. Peel and fold the two (2) large abrasion pads in half over the hood edge aligned with the holes in the protector in the area above the headlights.
2. Place a clip body over each of the abrasion pads on the edge of the hood.



Install hood edge clips (2) 13

NOTE

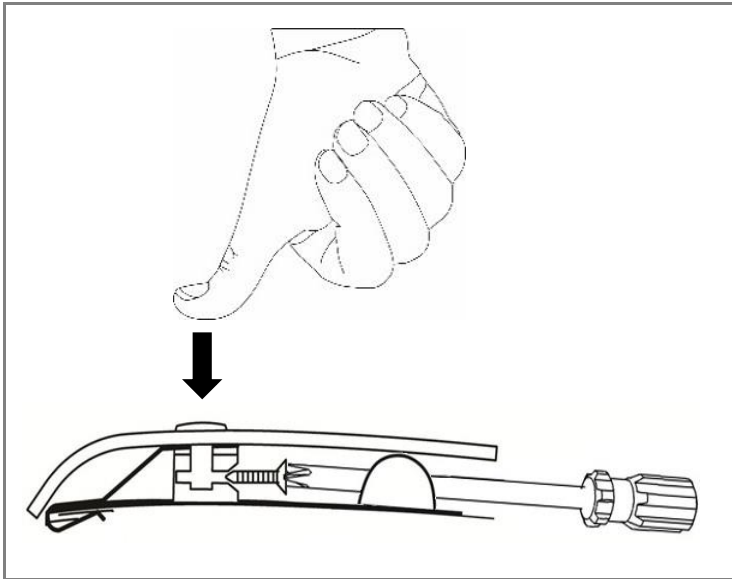
1. Insert a pin through the protector into each of the clip bodies.
2. Insert a screw through an 'L'- bracket and into the clip body.



Install hood edge clips (3) 14

NOTE

Ensure all the components are well seated together; the protector is centered on the hood, and then tighten the screws into the clip bodies.

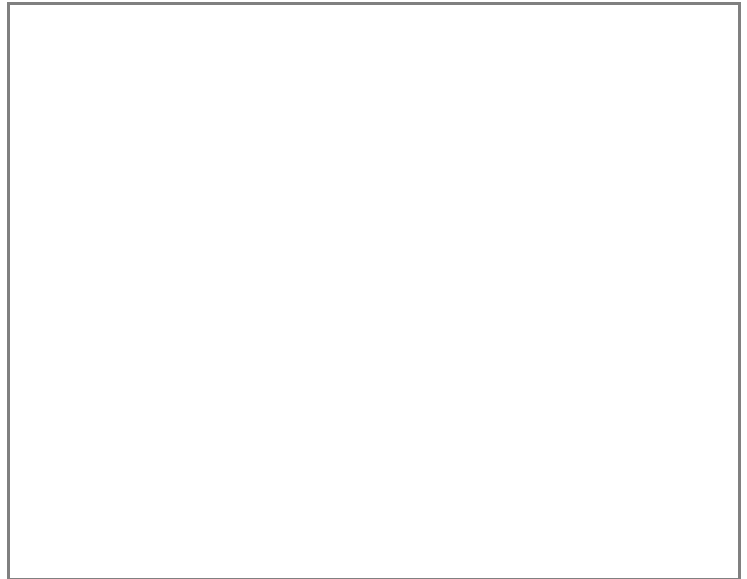


Tighten screws into pedestals 15

NOTE

Tighten screws into the pedestals that were installed in step 11.

NOTE: To allow adhesive to cure do not wash your vehicle for 24 hrs. Please inform the customer of this.



16

NOTE