

Large adhesive Pedestal (2)

Metal mounting Bracket (3)

#6 x 5/8" Flat Head Screws (6)



Pin (6)

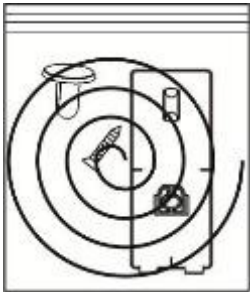


Small adhesive Pedestal (4)

Anti-abrasion Film Pads (3)

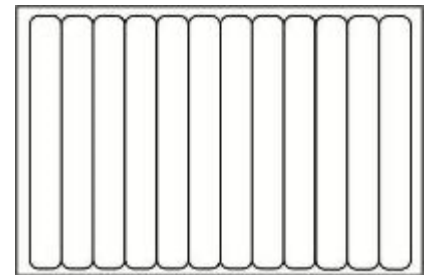


D-seal gasket



Installation Tape Assembly (1)

Tape strip sheet (repositionable) (1)



(2)

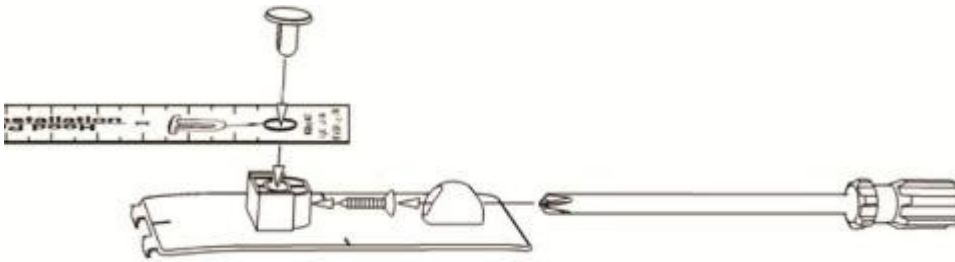
Hood Protector (1)



Installation Procedure

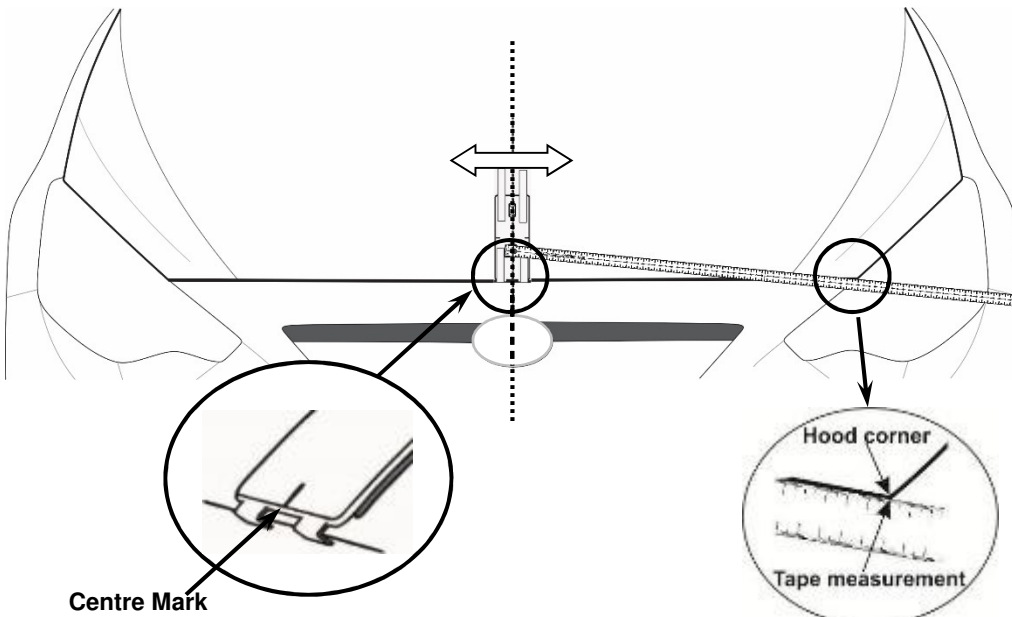
NOTE: Vehicle surface temperature should be a minimum 15 degrees Celsius.

1. Be sure that the hood is clean and dry inside and out.
2. Insert the pin through the hole in the Hood Protector Installation Tape supplied and into the large adhesive pedestals.
3. Install a #6 x 5/8 flat head screw into the pedestal.



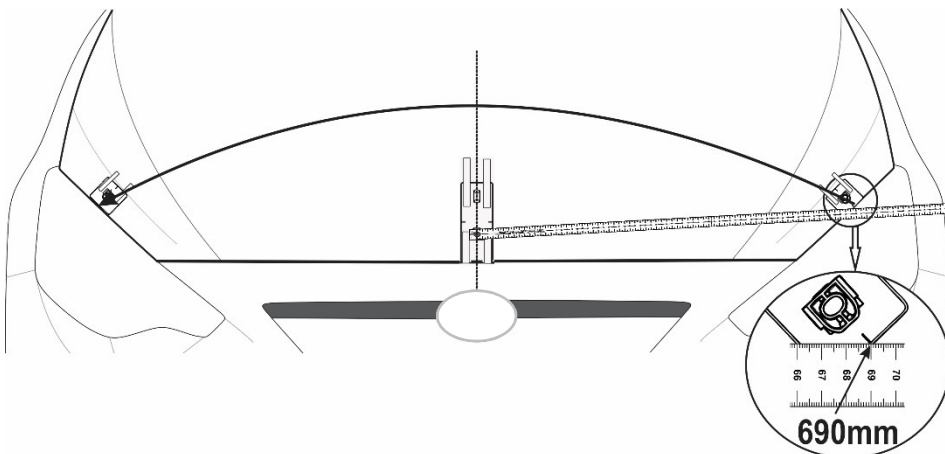
4. Use the installation tape assembly to determine centre by measuring two opposite corners of the hood and adjust pedestal until both measurements are identical.

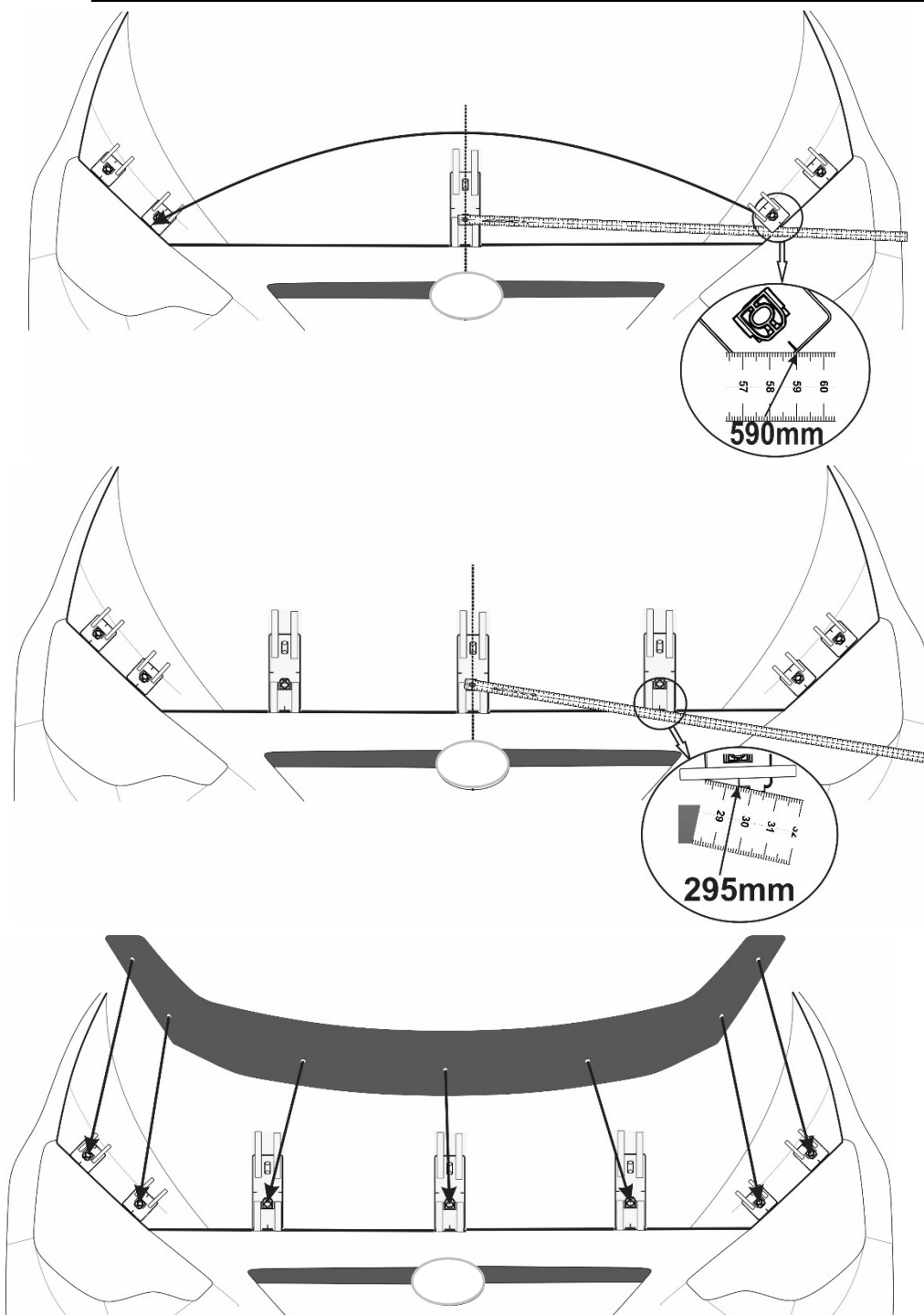
NOTE: When correctly positioned the fingers should contact the leading edge of hood.



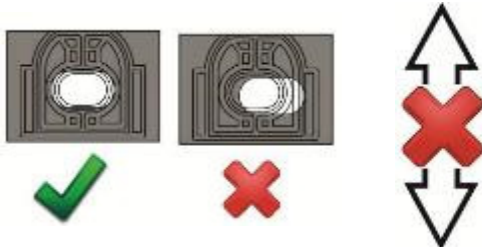
Locating adhesive pedestals using the tape assembly.

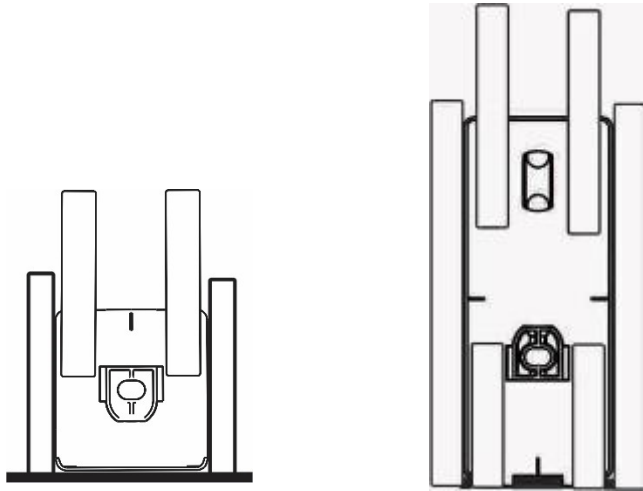
5. Use the center mark on the leading edge of the pedestals for accurate measuring.
 - The leading edge of the small adhesive pedestals align with the hood edge. There are no locating fingers. Note the orientation. The screw hole faces the leading edge of the hood.



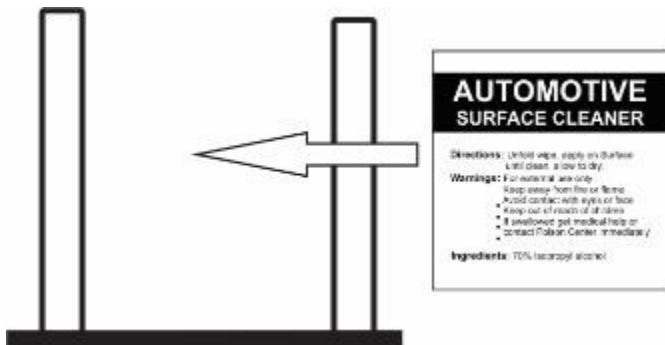


6. Ensure the holes in the protector align with those in the pedestals.
 - If necessary, reposition the pedestals so all attachment positions are correct and the protector is well centered.
 - Do not move the small adhesive pedestals without the fingers back from the leading edge of the hood.





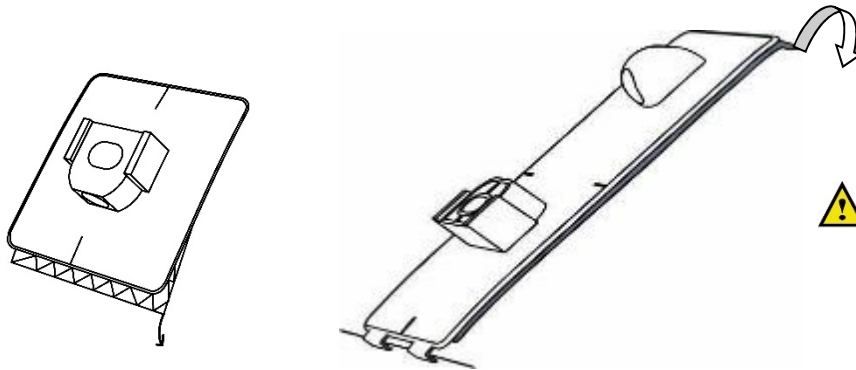
7. Remove the hood protector, and outline the perimeter of the pedestals with masking tape or the repositionable tape strips.



8. Remove the pedestals and thoroughly clean the outlined area with the automotive surface cleaner. Wipe dry with a clean cloth or paper towel. This will insure all wax, finger prints and oils are removed from the hood surface in the bonding area.



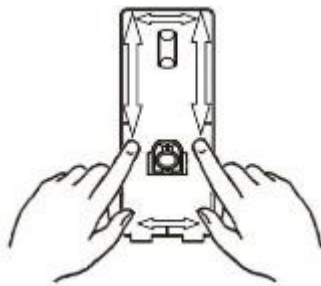
Important! Proper preparation of the hood surface will ensure maximum adhesive bond.



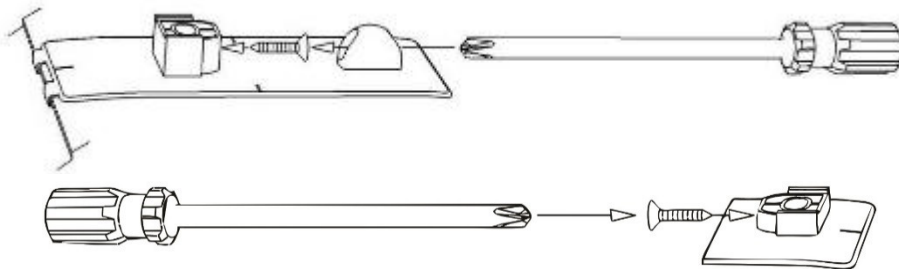
- Remove the protective backing from the adhesive on the pedestals and install on the hood surface.

⚠ Use caution to avoid contaminating the adhesive surface

Tip: Hook the fingers on the pedestal over the hood edge and rotate the unit into position. After installation, remove the masking tape and “wet out” the tape to the hood surface by applying pressure with your thumb around the surface of the pedestals.



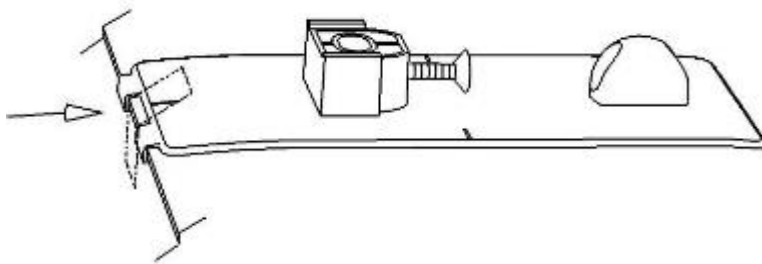
⚠ Important: “wetting out” of the pedestals will ensure maximum adhesive bond



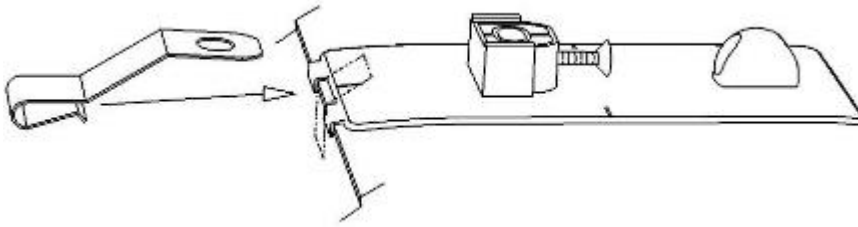
- Start a #6 x 5/8 flat head screw in a few turns

⚠ NOTE: The tip of the screw must not protrude into the hole where the attachment pin will install later.

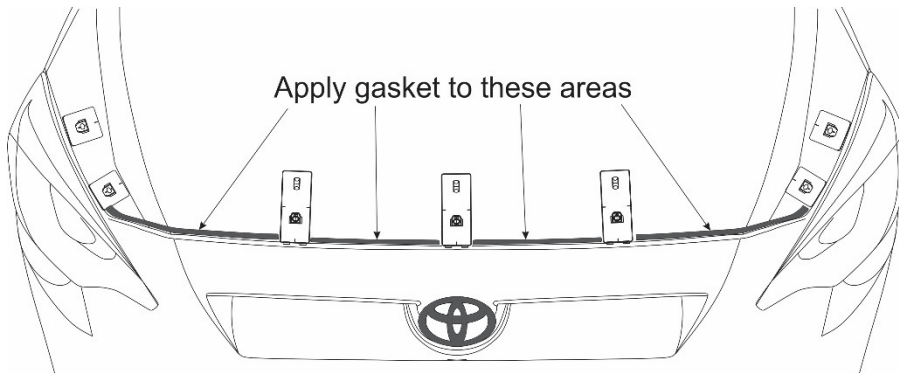
⚠ NOTE: The orientation of the **small pedestals** is reversed to the large pedestals. This means the screw is inserted and screwed in from the leading edge of the hood.



- For the large adhesive pedestals above the grill peel and fold the small anti abrasion film pad in half over the hood edge between the fingers on the pedestal.



12. For the large adhesive pedestals over the grill, push a metal mounting bracket over the hood edge and ensure the bracket is fully engaged.

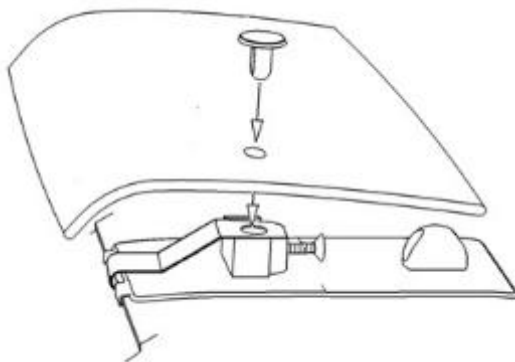


13. Cut D-seal into the following lengths:

Clean the edge of the hood with automotive surface cleaner and wipe dry with a clean cloth or paper towel prior to applying D-seal.

Apply D-seal at the leading edge of the hood, between the mounting pedestals, as shown.

Gasket should not overlap the base of the pedestal.

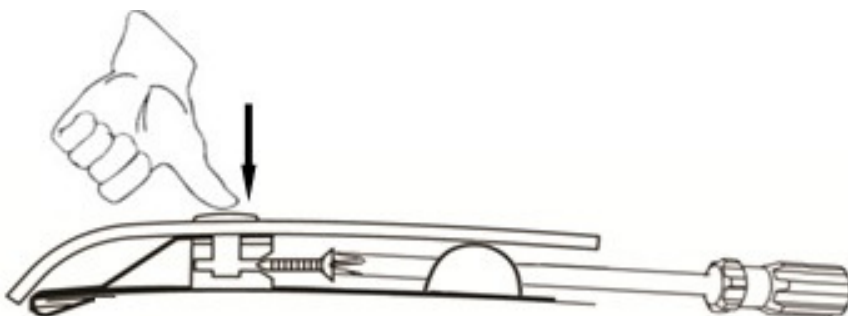


14. At the three (3) large pedestal locations drop a pin through the protector and into the pedestals.

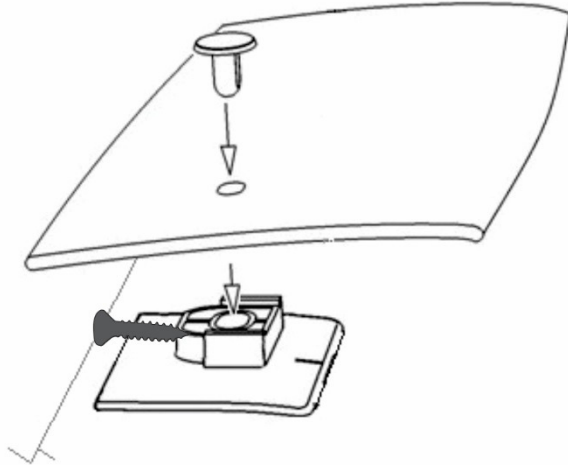
15. Maintain slight pressure on the pin, to ensure proper seating of the components, while simultaneously tightening the screw.



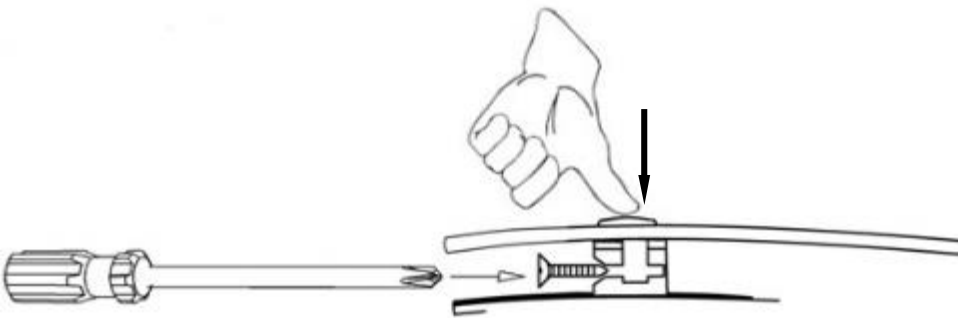
CAUTION: Be sure to take care not to scratch or damage the hood surface while tightening the screw.



NOTE: Proper installation of the adhesive pedestal system requires the use of a #2 Phillips screwdriver, preferably with a long shaft. Use of the correct screw driver will facilitate a trouble free installation. Do not attempt to use #1 or smaller Phillips screwdriver or any type of electric screwdriver. **See illustration.**



16. At the four (4) small pedestals, drop a pin through the protector and into the pedestal.



17. Maintain slight pressure on the pin, to ensure proper seating of the components, while simultaneously tightening the screw.

CARE INSTRUCTIONS

Clean the protector with a mild soap and water solution or plastic cleaner only. Do not use chemicals or solvents. **Periodically check to make sure the bumpons are in place and the protector is secure. Avoid using automatic car washes.** Do not pull on the protector when opening or closing the hood.