

# FORM FIT

## Accessory Installation

Vehicle Model  
Model Year  
Part No.











Sportage  
2017~  
HD 22B17

Accessory  
Difficulty

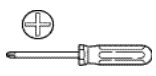

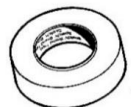
Hood Protector  
(B)

**Note:** Difficulty stated above reflects the minimum level of expertise required to install the accessory.

### Instructional Symbols / Definitions

	Denotes warnings that may lead to serious physical injury or vehicle damage.		Denotes quality processes to be checked prior to moving to the next step.	Denotes safety equipment required to be used such as a mask, safety glasses, gloves, and hearing protection.	
	Denotes cautions to be taken to avoid physical injury or electronic component damage.		Denotes specific tools that are necessary to complete the step.		
	Denotes cautions to be taken to avoid vehicle and component damage.		Denotes instructional steps necessary to complete the process.		
				Mask	Safety Glasses
				Gloves	Hearing Protection

### Basic Required Hand Tools

		
#2 Phillips Screwdriver with LONG SHANK	Clean Cloth	Masking tape

### Notes to the Installer:

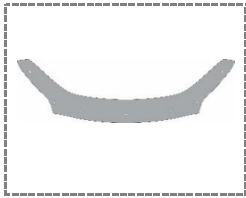
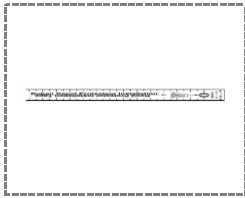
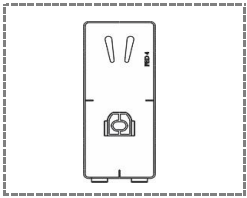


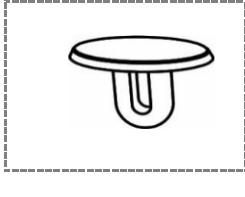
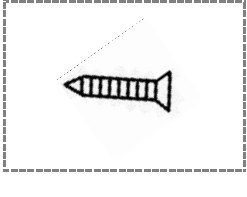
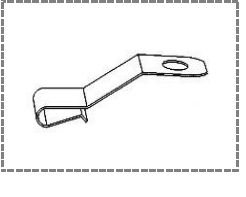
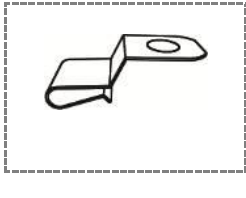
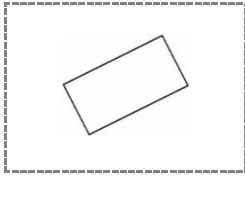
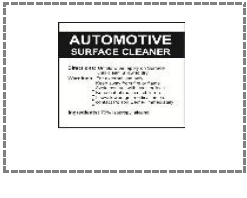
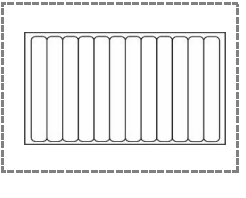
Read the entire installation manual prior to beginning the installation of the accessory.

To prevent vehicle damage, never place tools on top of painted surfaces, seats, dash pad, console or floor carpet / mat.

Always wear appropriate safety gear to include gloves and eye protection when required.

Make sure the vehicle is clean and completely dry before installation.

Make sure the vehicle is at room temperature or warmer: 15° to 43°C (60° to 110°F) before starting installation and that it remains at room temperature for 1 hour afterward to develop maximum adhesion of the 3M tape to the vehicle's surface.

①	②	③	④		
			 <b>Mounting pedestals with fingers</b>		
⑤	⑥	⑦	⑧		
 <b>Mounting pedestals without fingers</b>					
⑨	⑩	⑪	M		
					
<b>No.</b>	<b>Qty.</b>	<b>Description</b>	<b>No.</b>	<b>Qty.</b>	<b>Description</b>
1	1	Hood guard	7	7	Screws
2	1	Installation tape measure	8	3	Large metal mounting brackets
3	3	Large adhesive pedestals	9	2	Small metal mounting brackets
4	2	Small adhesive pedestals	10	5	Abrasion pads
5	2	Small adhesive pedestals	11	1	Surface cleaner
6	7	Pins	12	1	Re-useable tape strips

## INSTALLATION

- Make sure the vehicle is clean and completely dry before installation.
- This product uses a 3M adhesive that requires installation and curing temperatures of 15° to 43°C (60° to 110°F) for 1 hr to develop maximum adhesion to the hood surface. Failure to install this product at the proper temperature or allow adequate curing time before use is not covered under warranty.
- Proper installation of the adhesive pedestal system requires the use of a #2 Phillips screwdriver, preferably with a long shaft. The shaft of the screwdriver needs to fit through the hole in the pedestal. Use of the correct screw driver will facilitate a trouble free installation. Do not attempt to use #1 or smaller Phillips screwdriver or any type of electric screwdriver.

## CARE

Hand clean the protector using a mild soap and water solution or plastic cleaner only.

Avoid automatic car-wash equipment where a brush and/or soft cloth come in contact with the hood protector. Touch-less style automatic car-wash equipment is less likely to harm the hood protector.

## SERVICE

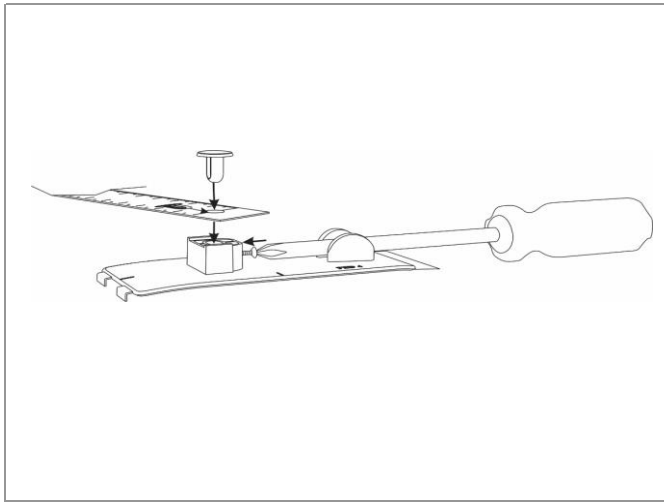
Periodically check to confirm the protector is securely attached to the hood.

## WARNING

Do not pull/push on the protector when opening/closing the hood.

## NOTE

On some vehicles it may be necessary to adjust the hood bumpers and/or latch for proper clearance.

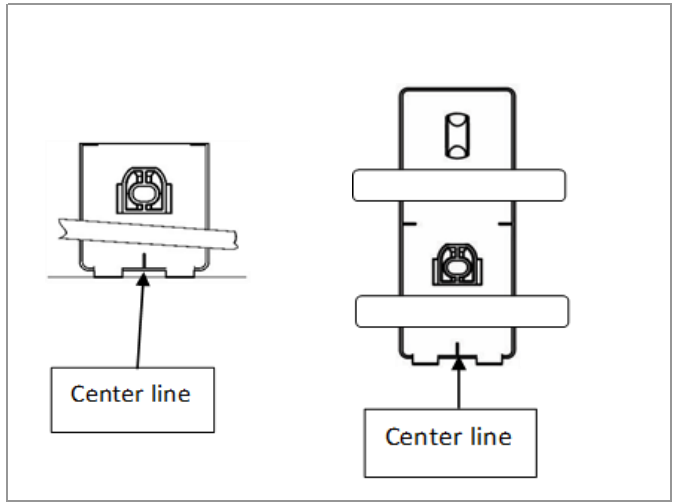


**Locate the center pedestal**

1

NOTE

Insert a pin through the hole in the hood protector installation tape measure supplied and into one of the large adhesive pedestals and install a screw into the pedestal



**Temporarily attaching pedestals**

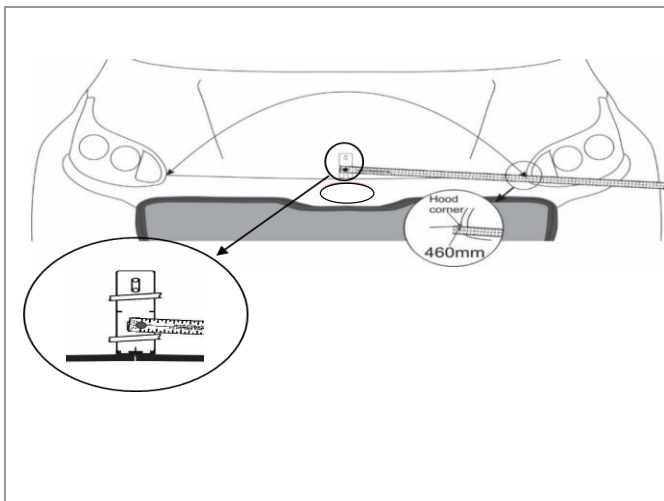
2

NOTE

Using masking tape or the re-usable tape strips, dry fit the large adhesive pedestal at the center of the hood.



**NOTE:** The fingers incorporated on the leading edge of the pedestal ensure the correct position relative to the hood edge. When correctly positioned the fingers should contact the leading edge of hood.



**Positioning center pedestal**

3

NOTE

Use the installation tape measure to confirm the pedestal is centered by measuring to the two front corners of the hood. Move the pedestal left or right until it is perfectly centered.

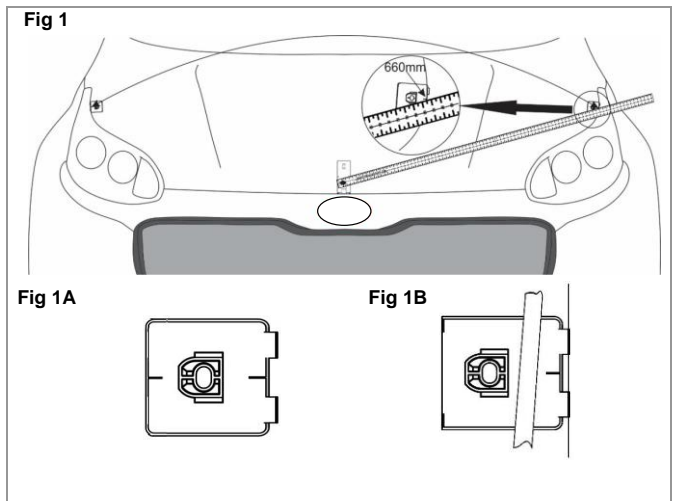


Fig 1

Fig 1A

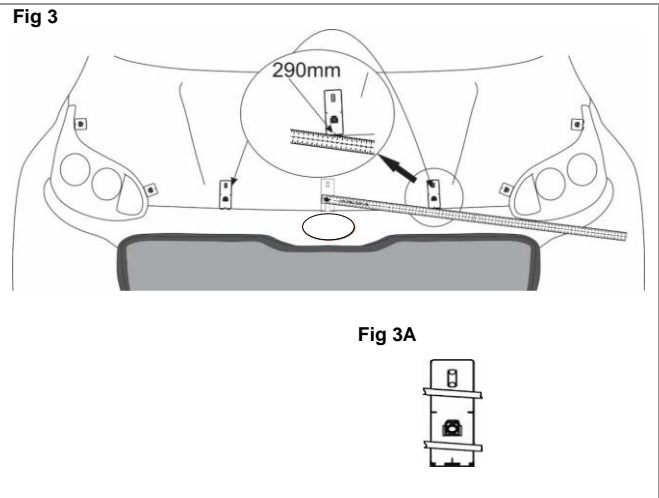
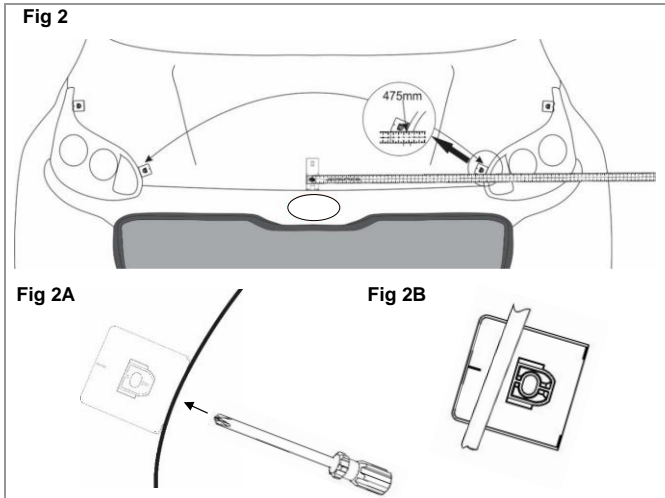
Fig 1B

**Position small outboard pedestals**

4

NOTE

Using the dimension shown, temporarily position the furthest outboard mounting pedestals. Note this step uses mounting pedestals with locating fingers as shown in Fig 1A. Use repositionable tape strips or masking to hold the pedestal in position as shown in Fig 1B.



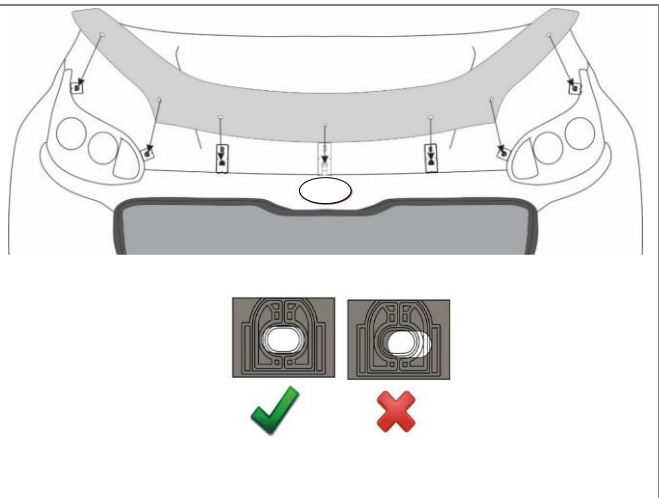
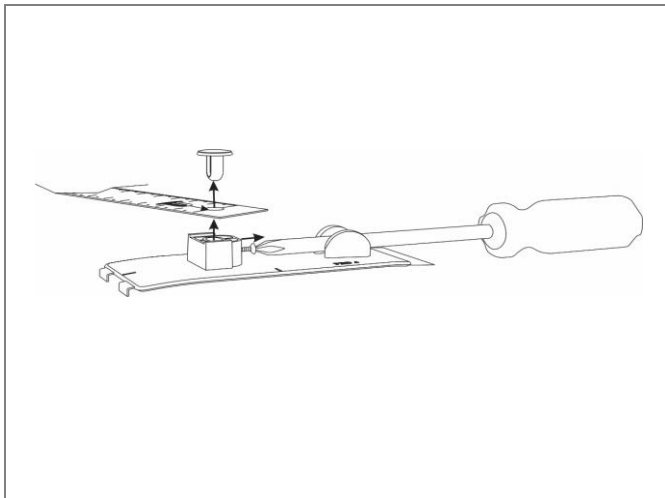
**Position small inboard mounting pedestals** 5

**NOTE**  
Using the dimension shown, temporarily position the small "inboard" pedestals. Note this step uses the mounting pedestals *without* locating fingers. **Note also the orientation as it is inverted to the previous step.** Use repositionable tape strips or masking to hold the pedestal in position as shown in Fig 2B.

**WARNING**  
The positions of the pedestals are shown in the illustrations. Use the center line on the leading edge of the pedestals for accurate measuring. The fingers incorporated on the leading edge of the pedestal will help ensure the correct position relative to the hood edge. When correctly positioned the fingers should contact the leading edge of the hood.

**Position large inboard pedestals** 6

**NOTE**  
Using the dimension shown, temporarily position the large "inboard" pedestals. Use repositionable tape strips or masking to hold the pedestal in position as shown in Fig 3A.



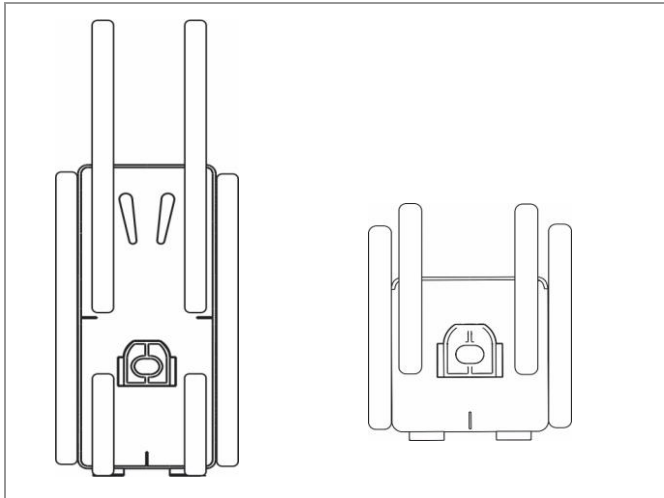
**Remove installation tape measure** 7

**NOTE**  
Remove the screw that holds the pin in place and remove the pin and the measuring tape.

**Confirm pedestal positions** 8

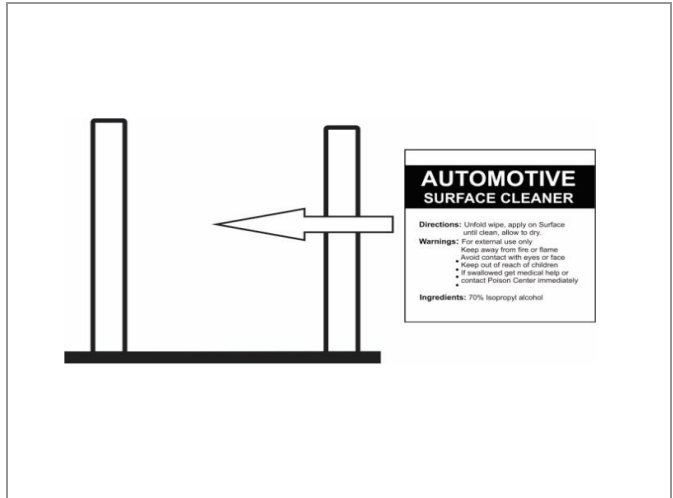
Confirm pedestal positions are correct by placing the hood protector on the pedestals and ensuring the holes in the hood protector align with those in the pedestals. Ensure the protector is centered on the hood and adjust the position of any pedestals if necessary.

KIA Genuine Accessories



**Mark pedestal locations** 9

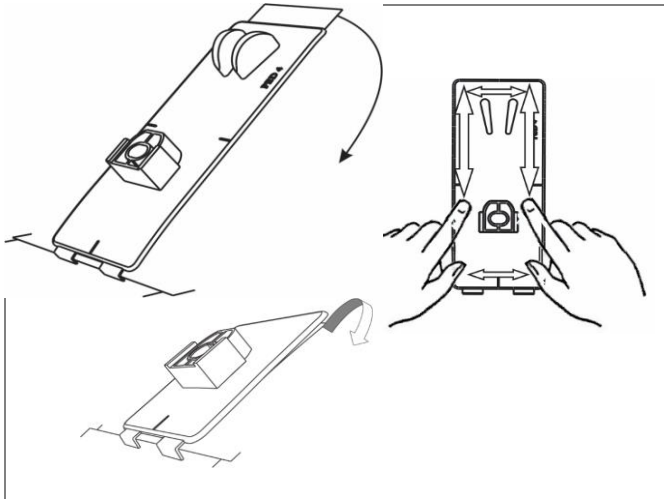
**NOTE** Using the repositionable tape strips or masking tape, mark the position of each pedestal as shown.



**Remove pedestals and clean surface** 10

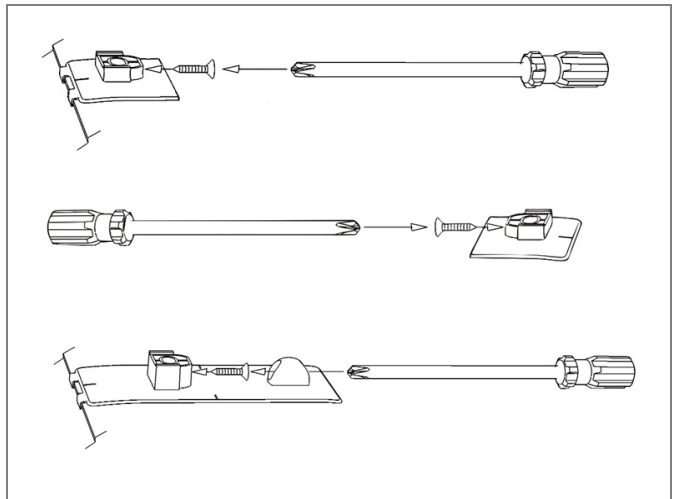
**NOTE** After the pedestal locations have been marked, remove the pedestals and clean the outlined areas with the supplied Automotive Surface Cleaner. Wipe dry with a clean cloth or paper towel. This removes all the surface contaminants and creates an excellent bond with the adhesive on the pedestals.

**Ensure the cleaned surface is not contaminated after cleaning as it will reduce the quality of the bond.**



**Attach mounting pedestals to hood** 11

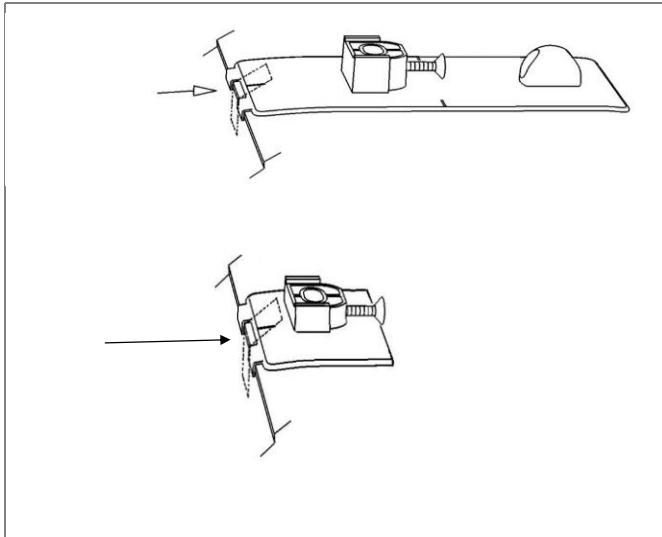
**NOTE** Using the tape outlines as guides, carefully peel the backing off each pedestal and place it on the hood surface. Ensure the orientation of the small mounting pedestals is correct. Once the pedestals have been placed in their positions, "wet out" each one to ensure a good bond to the hood surface. Once pedestals are in position, remove the tape outlines.



**Prepare mounting pedestals** 12

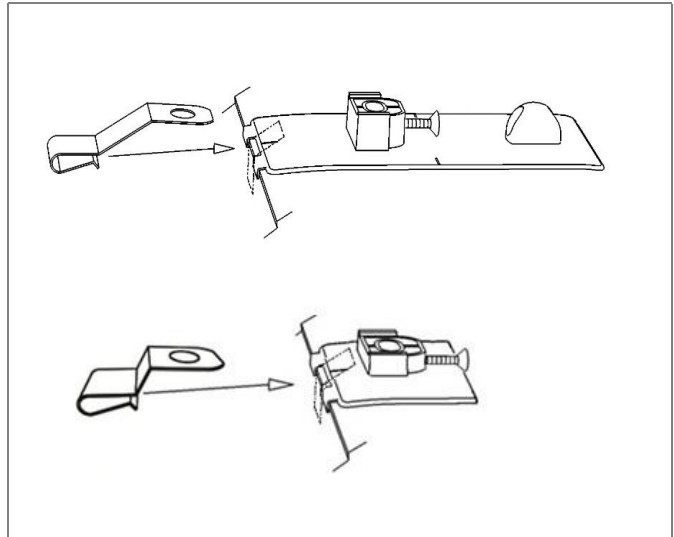
**NOTE** Once the mounting pedestals have been attached to the hood surface, insert a screw a few turns into each pedestal as shown. Note the screw inserts from the rear of the two small outboard pedestals and the three large pedestals. On the two inner small pedestals the screws insert from the front.

KIA Genuine Accessories



**Apply abrasion pads** 13

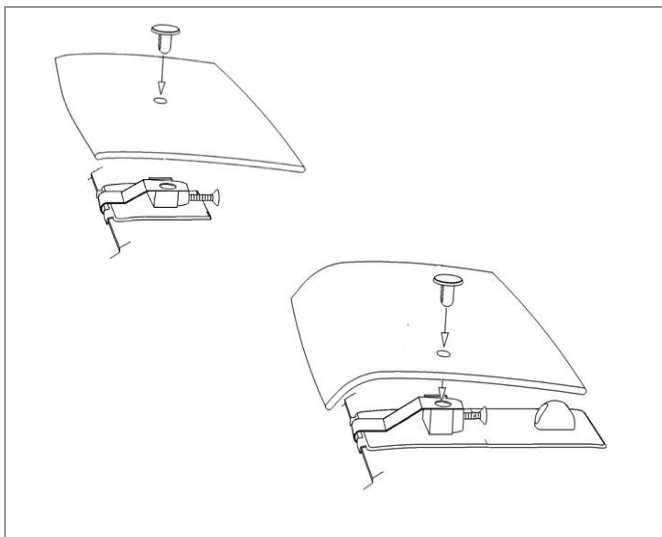
**NOTE** Apply abrasion pads as illustrated. Note that the two small inner pedestal do not require abrasion pads. Only the outer two small pedestals and in the inner three large pedestals get abrasion pads.



**Attach mounting clips** 14

**NOTE** Slide a metal mounting bracket over each of the two small outer mounting pedestals and each of the three large inner mounting pedestals, as illustrated. Note the two inner small mounting pedestals do not use metal mounting brackets. Ensure the bracket is fully seated over the hood edge and the hole in the bracket is aligned with the hole in the pedestal.

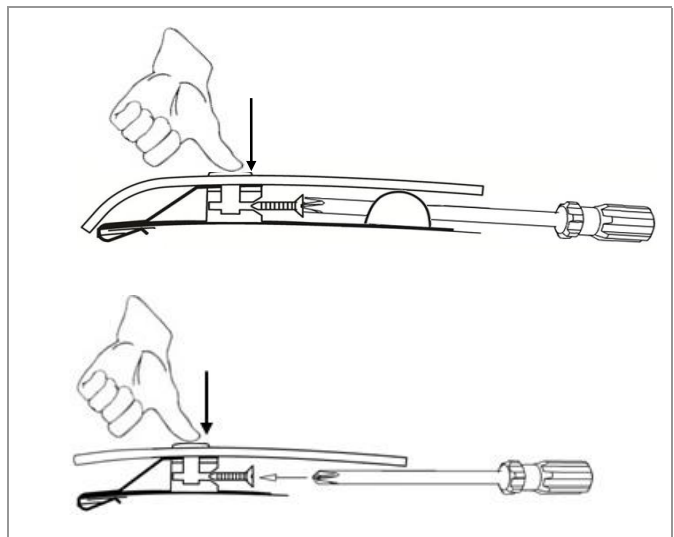
**WARNING** Ensure the bracket is fully seated over the hood edge and the hole in the bracket is aligned with the hole in the pedestal.



**Attach hood protector** 15

**NOTE** Place the protector on the pedestals and starting at the center position, install a pin through the protector and into the pedestal. Turn in each screw a few turns.

**NOTE:** Only tighten screws a few turns so the pins are held in place but there is still some movement of the protector as this assists in final alignment of all attachment positions.



**Tighten screws into mounting pedestals** 16

**NOTE** Maintain slight pressure on the pin to ensure proper seating of the components while simultaneously tightening the screw. Repeat for remaining pedestal locations. Take care to not overtighten the screws.

**NOTE:** To allow adhesive to cure do not wash your vehicle for 24 hrs. Please inform the customer of this.