

Installation Instructions

Toyota Camry 2018- up

PARTS LIST

Hood protector



Metal mounting Bracket Type A (3)



Metal mounting Bracket Type B (2)



Modified Clip Bodies –hooks removed (5)



Push Type Retainer (2)



Adhesive pedestals (2)



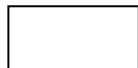
#6 x 5/8" Flat Head Screws (7)



Pins (7)



Anti-abrasion Film Pads (5)



Large Bumpons (4)



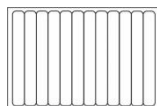
Small Bumpons (3)



Alcohol wiping pad (1)



Tape strip sheet (1)



3mm soft foam tape (2)



TOOLS AND SUPPLIES REQUIRED

Phillips screwdriver #2
Tape measure
Clean cloth or paper towel

INSTALLATION

-Ensure the vehicle is clean and completely dry before installation.



-Ensure all traces of wax, grease, silicone and any other contaminants are removed from vehicle surface where the accessory is to be installed.

-Use of the correct screwdriver will facilitate a trouble free installation. Do not attempt to use #1 or smaller Phillips screwdriver or any type of powered screwdriver.

CARE

Hand clean the protector using a mild soap and water solution or plastic cleaner only.

Avoid automatic car-wash equipment where a brush and/or soft cloth come in contact with the hood protector. Touch-less style automatic car-wash equipment is less likely to harm the air protector.

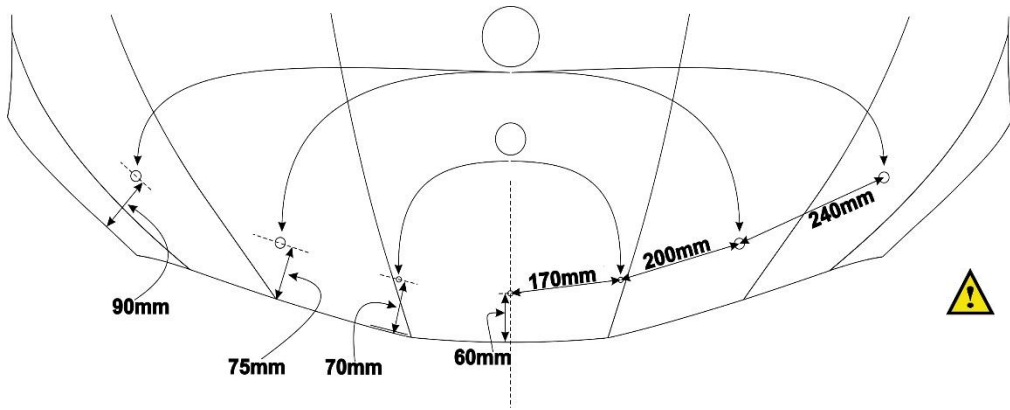
SERVICE

Periodically check to confirm the protector is securely attached to the hood.

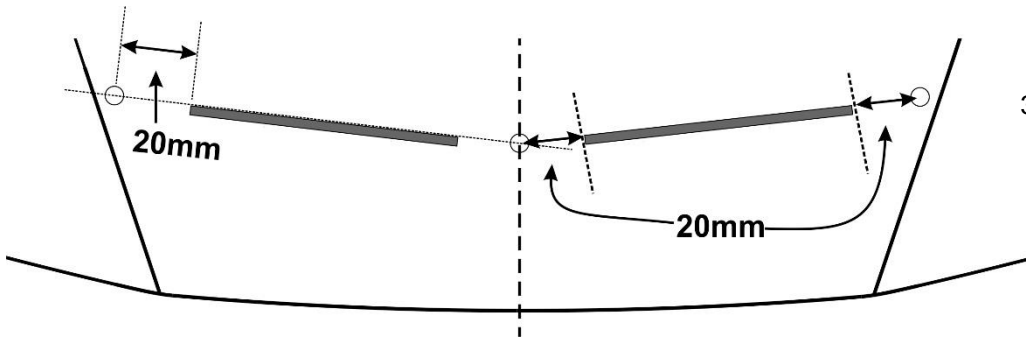
WARNINGS

Do not pull / push on the protector when opening / closing the hood.

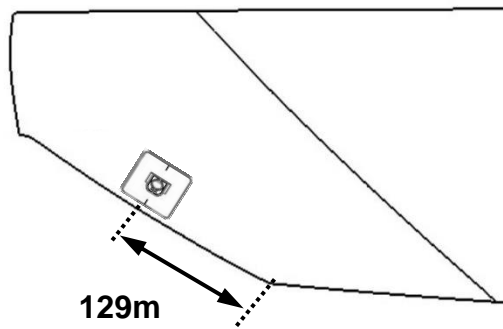
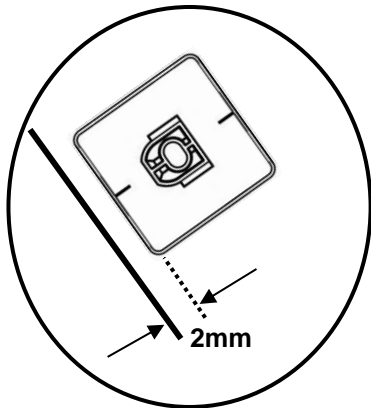
Installation Procedure



1. Be sure that the hood is clean and dry inside and out.
2. Install the seven (7) bumpons as shown. **Attention: the bumpons must be installed on the hood, not on the deflector!!!** If the bumpons are installed on the deflector, they may wear through the paint. **NOTE:** Locate the center of the hood using a tape measure and place the bumpons as shown in the illustration.

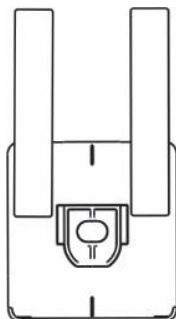


3. One at a time, peel the protective backing off the soft foam gasket pieces and place in the positions indicated in the illustration.



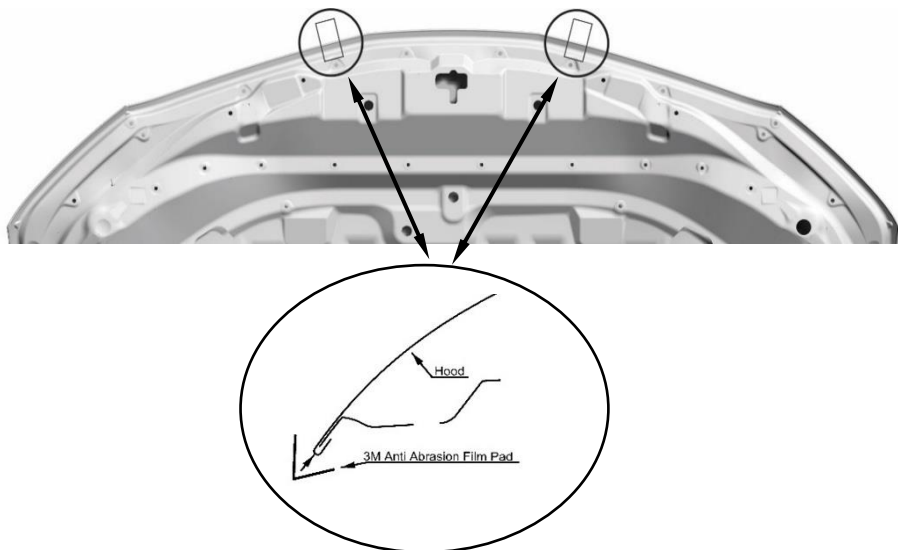
4. The positions of the pedestals are shown in illustration. Use the mark at the center of the pedestal for the measurements. The pedestals should have an even 2mm gap from the edge of the hood to the bottom edge of the pedestal

Note: Be aware of the direction of the pedestal. Screw hole should point towards the hood edge when installed properly.



5. Dry fit the adhesive pedestals using tape strips to hold them in position.

Looking at underside of the hood
Anti-abrasion Pad Locations



6. Open the hood of the vehicle. Peel and fold anti-abrasion film pads in half over the edge of the hood, in the two (2) locations shown.

Metal Bracket Guide

Type A

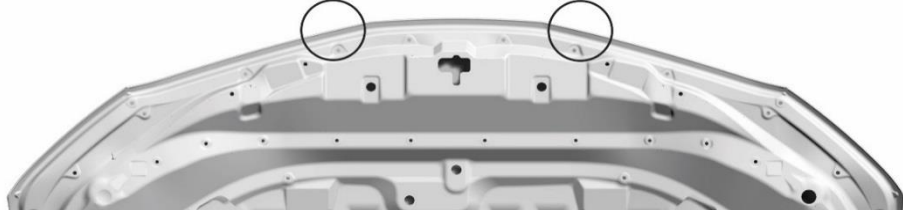
Type B



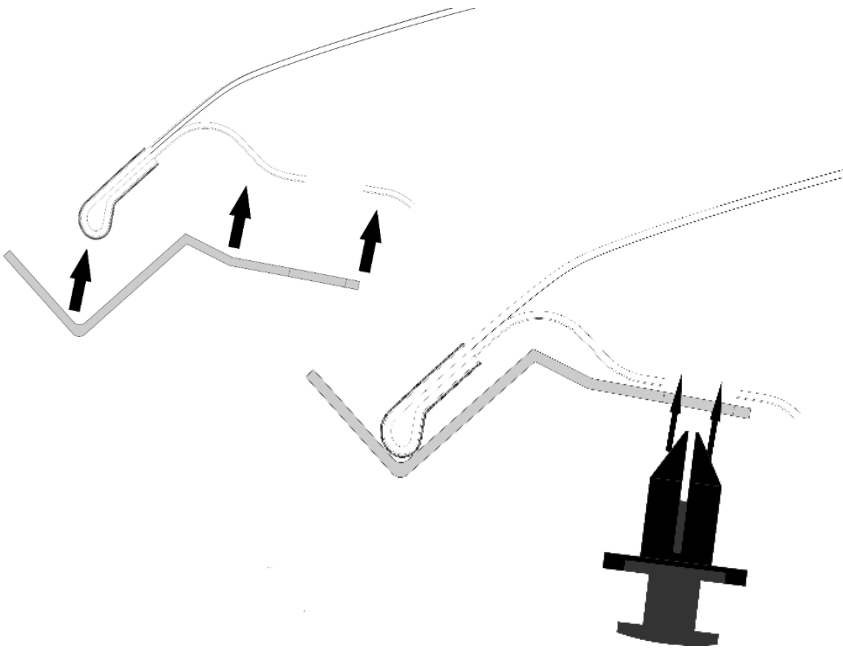
NOTE: Use the metal Bracket Guide to determine where the Metal Brackets are installed in following steps. See *Illustration*.

Type B

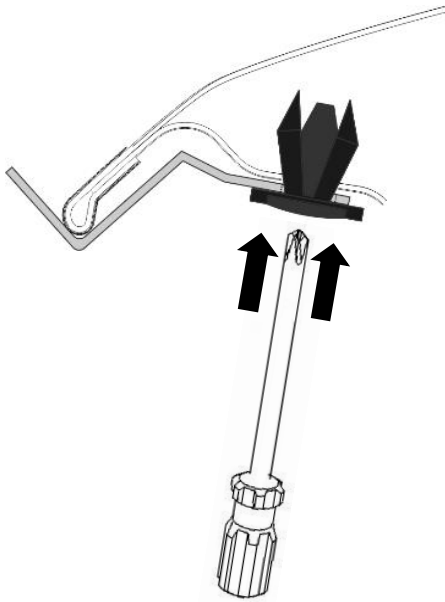
Type B



7. Install Type B Metal Brackets over the hood edge in their correct positions. Align the hole in the bottom leg of the bracket with the round hole in the hood. See *Illustration*.

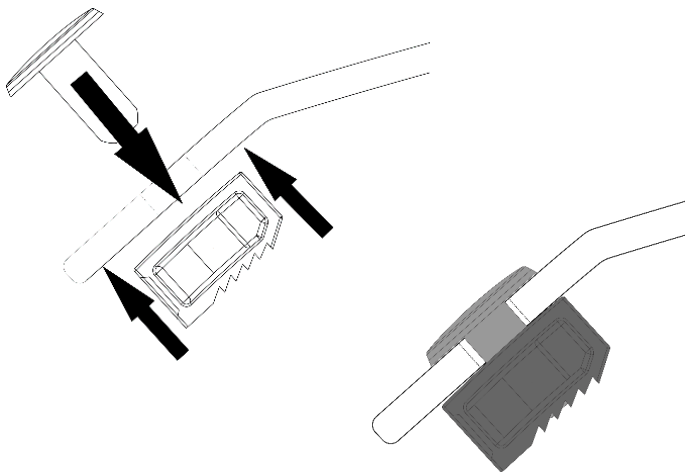


8. Insert a push-type retainer through the metal bracket and into the round hole in the hood. *See Illustration.*

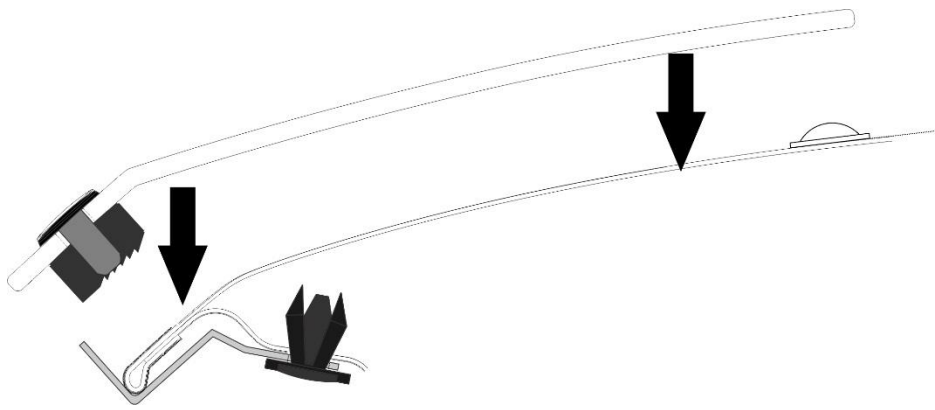


9. Once the push-type retainer is seated in the metal bracket, push the center pin into place. Use a Phillips head screwdriver and seat the center pin with a sharp push.

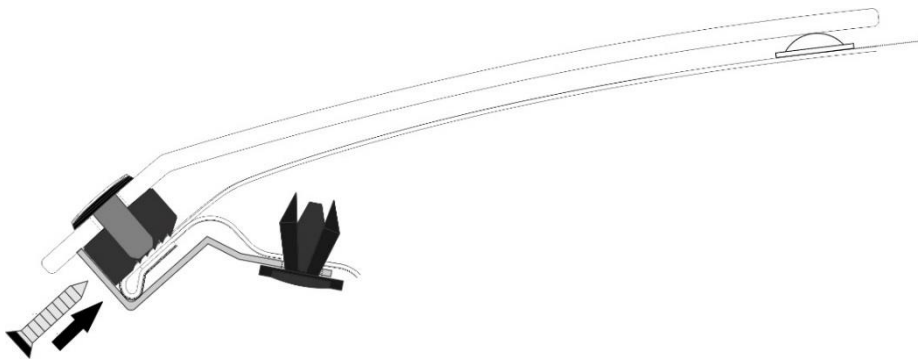
NOTE: Engaging the center pin of the “push-type retainer” is best accomplished by placing a #2 Philips drive screwdriver into the recess of the center pin and pushing the pin **followed by tightening 90 degrees to fully engage the retainer into the hood.** The retainer can be removed by unthreading the center pin with a Philips screwdriver, however initial installation is best done using the “push” method described above.



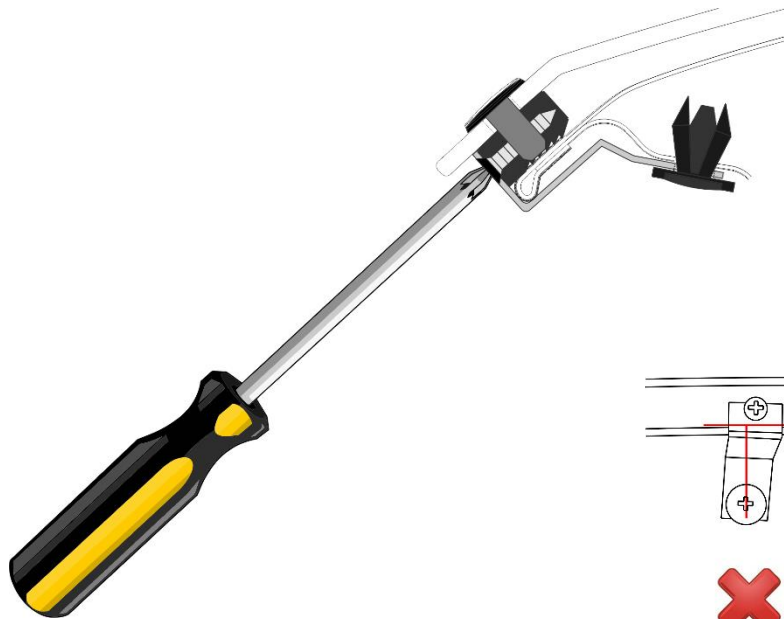
10. Place a pin through each of the two middle holes in the hood protector and into one of the clip bodies as shown. *****Note the orientation of the clip body relative to the edge of the hood protector*****



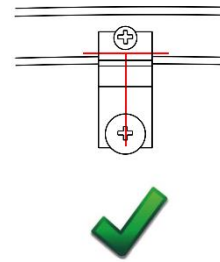
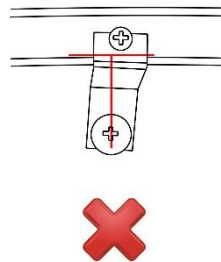
11. With both pins and clip bodies in place, lower the hood protector onto the hood and align the holes in the metal brackets with the holes in the clip bodies.

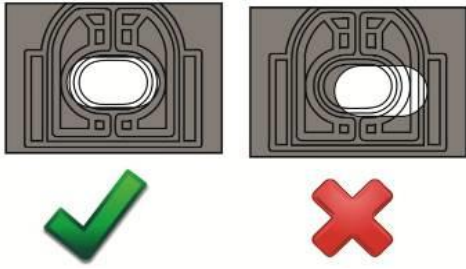


12. Insert a #6 x 5/8" screw through the metal bracket and into each clip body.

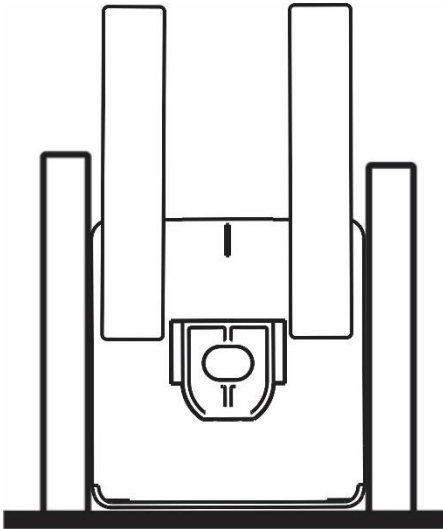


13. Ensure all metal brackets and clip bodies are properly aligned and tighten the screws into each of the clip bodies. **Note the orientation of the metal brackets. They should be perpendicular to the hood edge. See illustration.**

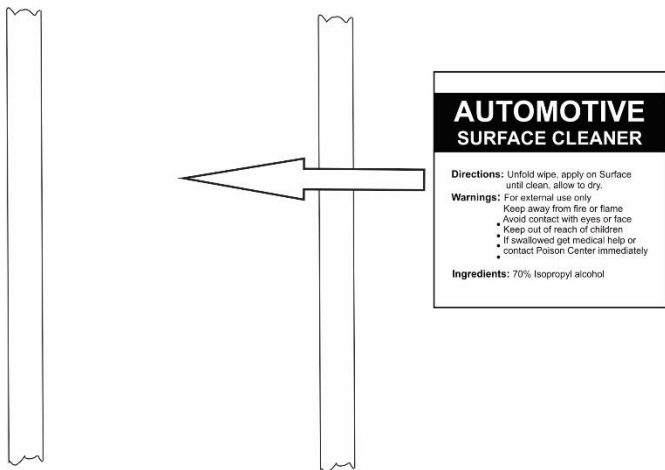




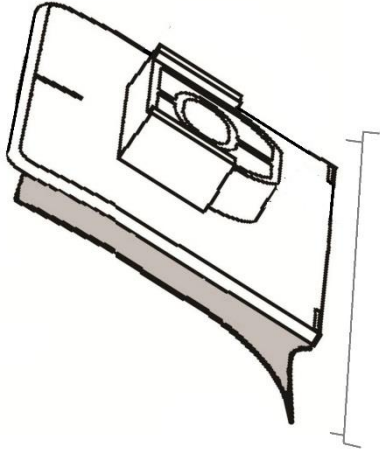
14. Confirm correct positioning of the pedestals, by adjusting the pedestal position on the hood to align with the holes in the hood protector.



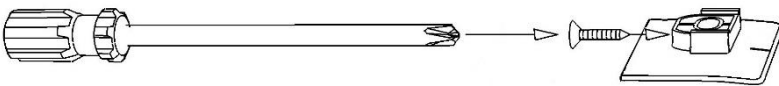
15. Remove the hood protector, and outline the perimeter of the pedestals with masking tape to help final installation.



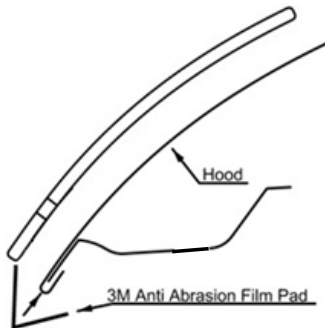
16. Remove the pedestals and thoroughly clean the outlined area with the alcohol wiping pad. This will insure all wax, finger prints and oils are removed from the hood surface in the bonding area.



17. Remove the protective backing from the adhesive on the pedestals and install on the hood surface.

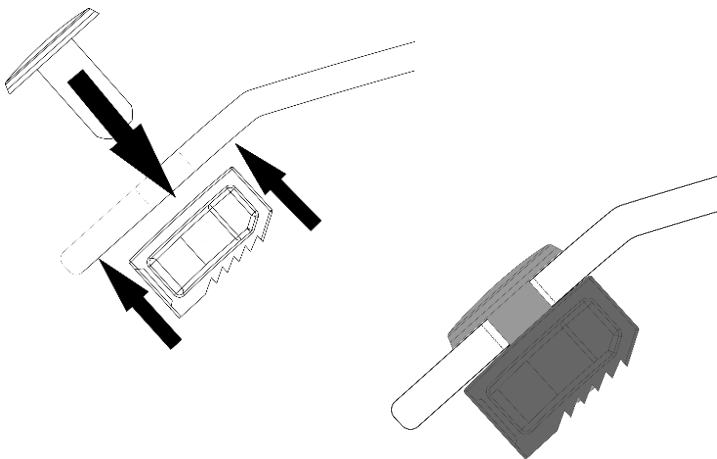


18. Start a #6 x 5/8 flat head screw into each pedestal a few turns. The tip of the screw must not protrude into the hole where the attachment pin will install later.

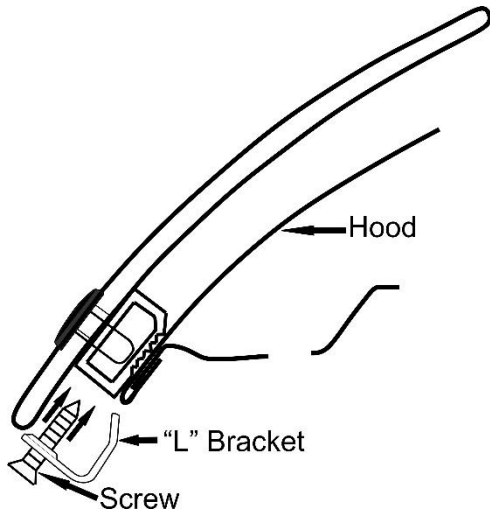


19. Reinstall the hood protector following steps 9 through 12.

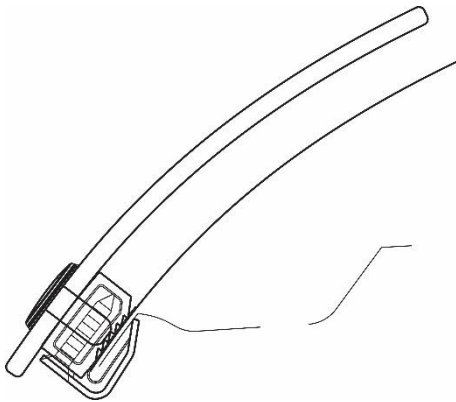
20. Locate the three (3) unused holes in the hood protector. Wrap an anti-abrasion film pad over the hood edge at these locations.



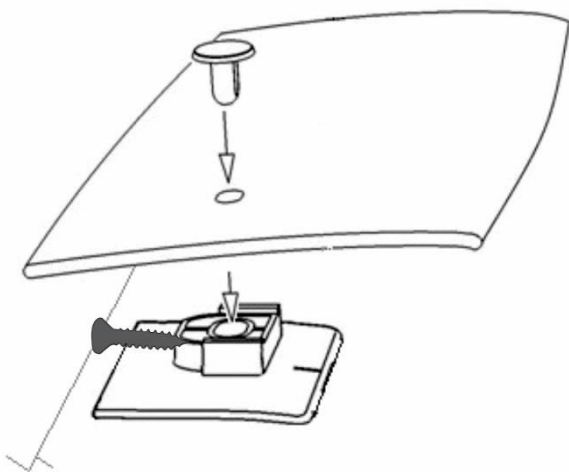
21. Place a pin through each of the holes in the hood protector and into one of the clip bodies as shown. *****Note the orientation of the clip body relative to the edge of the hood protector*****



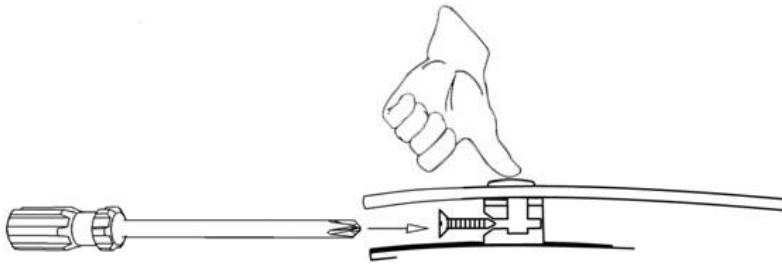
22. Insert a #6 x 5/8" screw through an 'L'- bracket (Type A) and into the clip body.



23. Make sure all the components are well seated together; the protector is centered on the hood, and then tighten the screws into the clips.



24. At the pedestal locations, drop a pin through the protector and into the pedestal.



25. Maintain slight pressure on the pin, to ensure proper seating of the components, while simultaneously tightening the screw.

CARE INSTRUCTIONS

Clean the deflector with a mild soap and water solution or plastic cleaner only. Do not use chemicals or solvents. Periodically check to make sure the bumpons are in place and the protector is secure. Avoid using automatic car washes. Do not pull on the deflector when opening or closing the hood.

On some vehicles it may be necessary to adjust the hood bumpers and/or latch for proper clearance.

Note: Do not pull on the protector when opening or closing the hood.
CAUTION: Do not expose the vehicle/hood protector to extreme environments (weather) or car washes for a 24 hour period following the installation to allow the adhesive pedestals sufficient time to reach full bond strength.