

Hyundai Sonata

Model Year

2024 ~

Part No.

HD10C24

Instructional Symbols / Definitions

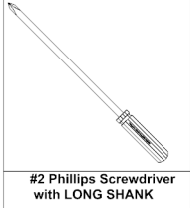


Denotes cautions to be taken to avoid vehicle and component damage.

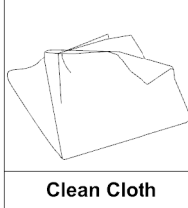


Denotes instructional steps necessary to complete the process.

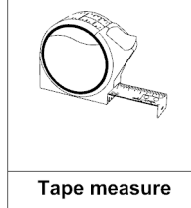
Basic Required Hand Tools



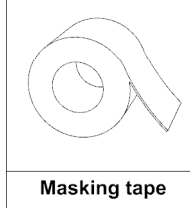
#2 Phillips Screwdriver with LONG SHANK



Clean Cloth



Tape measure



Masking tape

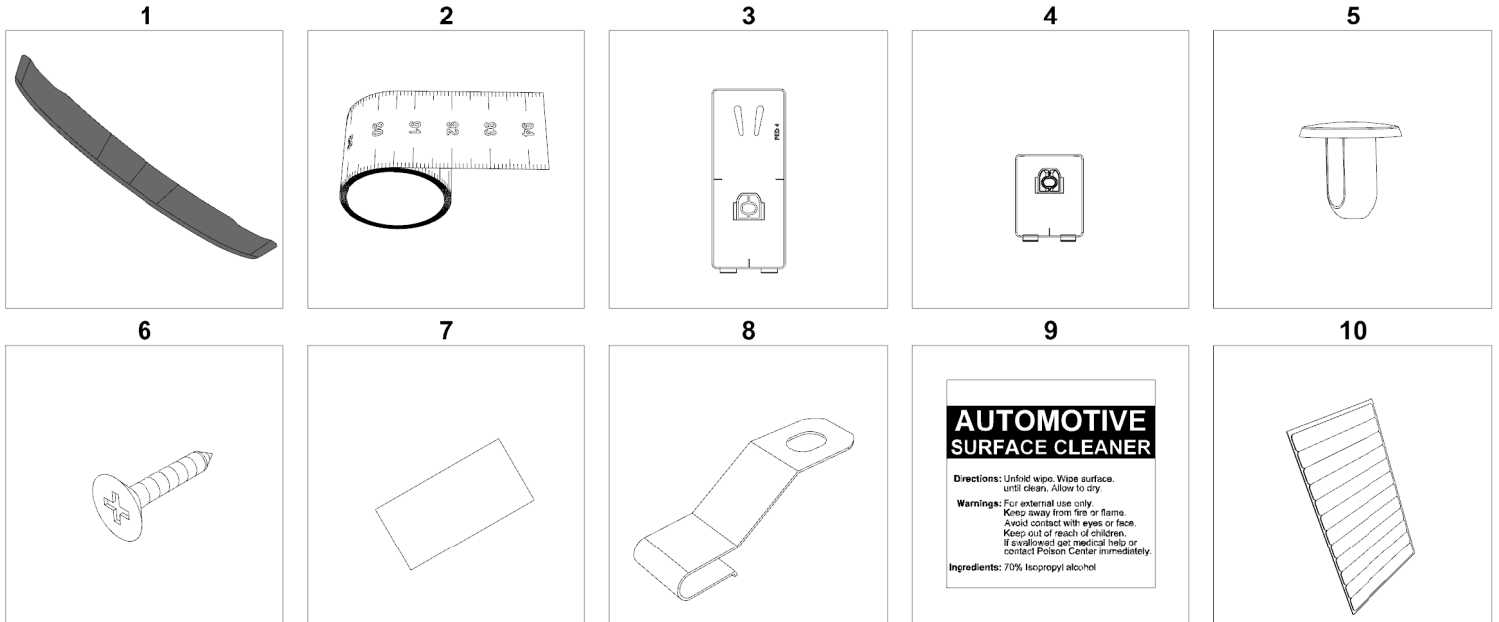
Notes to the Installer:

Read the entire installation manual prior to beginning the installation of the accessory.

To prevent vehicle damage, never place tools on top of painted surfaces, seats, dash pad, console or floor carpet / mat.

Always wear appropriate safety gear to include gloves and eye protection when required.

Make sure the vehicle is at room temperature or warmer: 15° to 43°C (60° to 110°F) before starting installation and that it remains at room temperature for 1 hour afterward to develop maximum adhesion of the 3M tape to the vehicle's surface.



| # | QTY. | Description | # | QTY. | Description | # | QTY. | Description |
|---|------|---------------------------|---|------|-------------------------|----|------|----------------------------|
| 1 | 1 | Hood guard | 5 | 6 | Pins | 9 | 1 | Automotive Surface Cleaner |
| 2 | 1 | Installation tape measure | 6 | 6 | Screws | 10 | 1 | Re-useable tape strips |
| 3 | 4 | Large adhesive pedestals | 7 | 6 | Anti-Abrasion pads | | | |
| 4 | 2 | Small adhesive pedestals | 8 | 6 | Metal mounting Brackets | | | |

INSTALLATION

- Make sure the vehicle is clean and completely dry before installation. Be aware any debris, oils, paint or surface treatment can effect the pedestal adhesiveness to the vehicle surface. Adhesive failure due to this is not covered under warranty.
- This product uses a 3M adhesive that requires installation and curing temperatures of 15° to 43°C (60° to 110°F) for 1 hr to develop maximum adhesion to the hood surface. Failure to install this product at the proper temperature or allow adequate curing time before use is not covered under warranty.
- Proper installation of the adhesive pedestal system requires the use of a #2 Phillips screwdriver, preferably with a long shaft. The shaft of the screwdriver needs to fit through the hole in the pedestal. Use of the correct screw driver will facilitate a trouble free installation. Do not attempt to use #1 or smaller Phillips screwdriver or any type of electric screwdriver.

CARE

Hand clean the protector using a mild soap and water solution or plastic cleaner only.

SERVICE

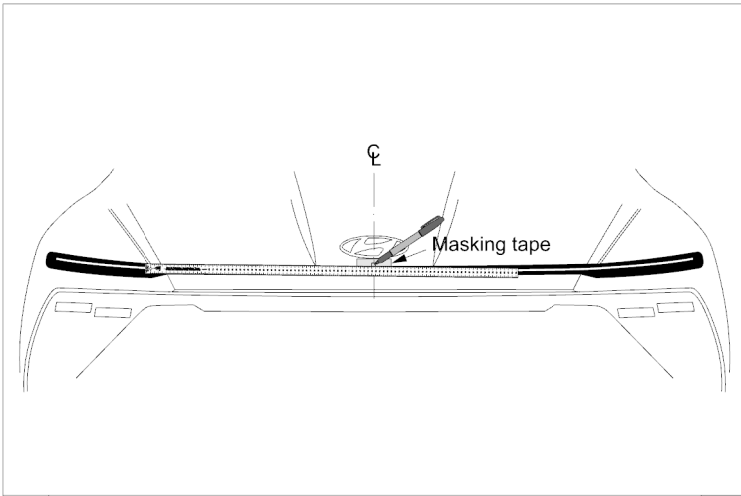
Periodically check to confirm the protector is securely attached to the hood

WARNING

Do not pull/push on the protector when opening/ closing the hood.

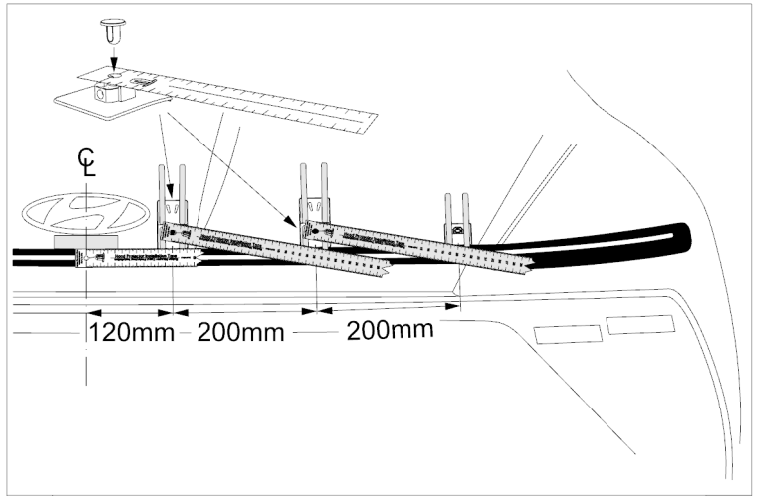
NOTE

On some vehicles it may be necessary to adjust the hood bumpers and/or latch for proper clearance.



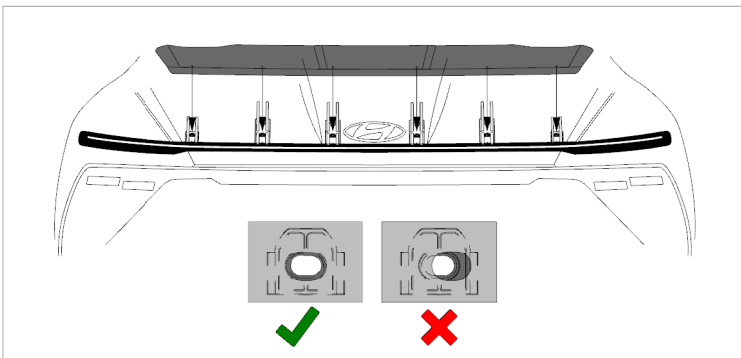
Find centre 1

Estimate the center of the hood and place a piece of masking tape at the edge. Measure to opposite hood corners. When the measurements are equal, place a mark on the masking tape.



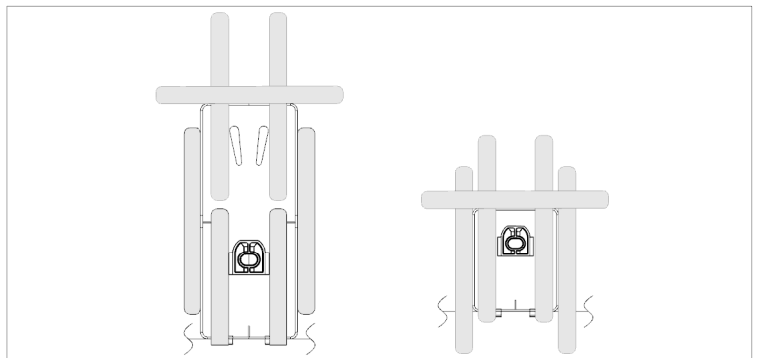
Temporarily install pedestals 2

- Dry fit the pedestals using tape strips supplied or masking tape to temporarily hold them in position. The position of the pedestals are shown in the illustrations. Use the center line on the leading edge of the pedestals for accurate measuring. The pedestals install perpendicular to the hood edge.
- Starting from the center line marked in Step 1, measure 120mm (horizontally as shown) and align the large pedestal center line to this position.
- From the center line of the previous large pedestal, measure 200mm (angled as shown) and align the next large pedestal center line to this position.
- From the center line of the previous large pedestal, measure 200mm (angled as shown) and align the next small pedestal center line to this position.
- Repeat for the other side.



Test fit hood protector 3

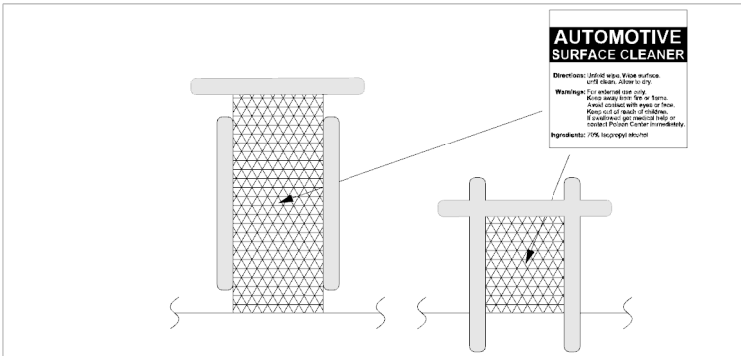
- Place the hood protector on the pedestals to confirm proper positioning.
- Ensure the holes in the protector align with those in the pedestals.
- If necessary, reposition the pedestals so all attachment positions are correct and the protector is well centered.



Outline pedestals 4

Once the location of the center pedestal has been established, outline its position with the supplied tape strips or masking tape.

⚠ Proper marking and prepping of all pedestal locations is critical. Accurately installing them in the exact position is very important. Once attached, the pedestals are very difficult to remove - place them correctly the first time!



AUTOMOTIVE SURFACE CLEANER
 Directions: Spray on white plastic surface. Wipe clean. Allow to dry.
 Warnings: Do not use on black plastic. Keep away from fire or flame. Avoid contact with eyes or face. Keep out of reach of children. If children get involved, call your Poison Center immediately.
 Ingredients: 95% Isopropyl Alcohol

Clean the surface

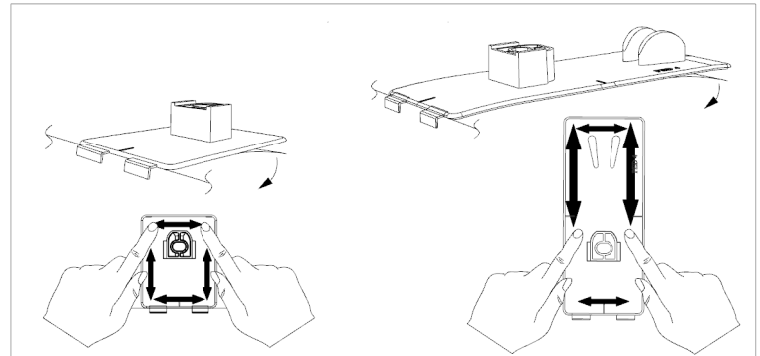
5

M-O-Z

Remove the pedestal and thoroughly clean the outlined area with the surface cleaner. Wipe dry with a clean cloth or paper towel. This will insure all wax, finger prints and oils are removed from the hood surface in the bonding area.



Important! Proper preparation of the hood surface will ensure maximum adhesive bond.



Permanently attach pedestals

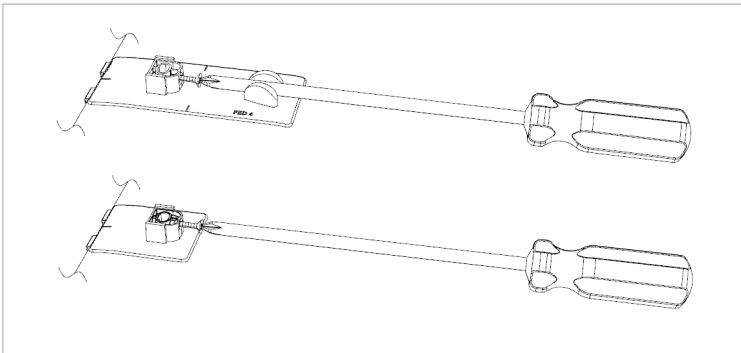
6

M-O-Z

Remove the red backing from the adhesive and install on the hood surface.
 Tip: Hook the fingers on the pedestal over the hood edge and rotate the unit into position. After installation, remove the tape strips and “wet out” the pedestal base by applying pressure with your thumb around the surface of the pedestals.



Important: “wetting out” of the pedestal will ensure maximum adhesive bond.

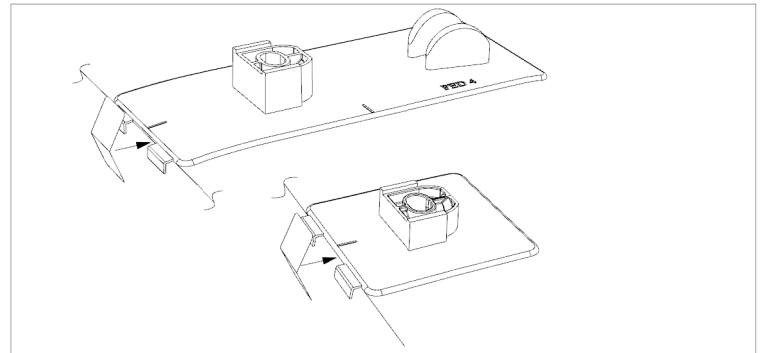


Start screws

7

NOTE

Start a screw into each pedestal a few turns. The tip of the screw must not protrude into the hole where the attachment pin will install later.

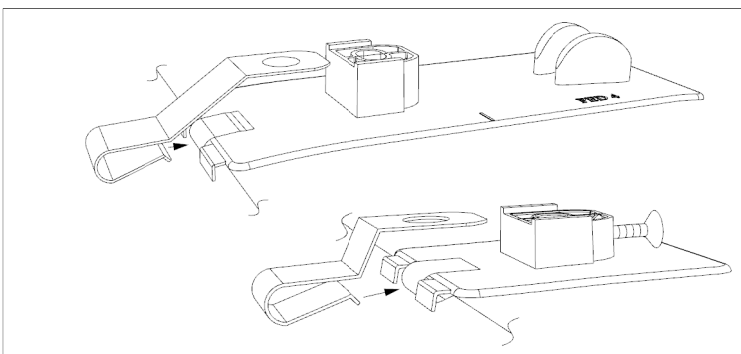


Install anti-abrasion film

8

NOTE

Peel and fold the anti-abrasion film pads in half over the hood edge between the fingers on each of the mounting pedestals.

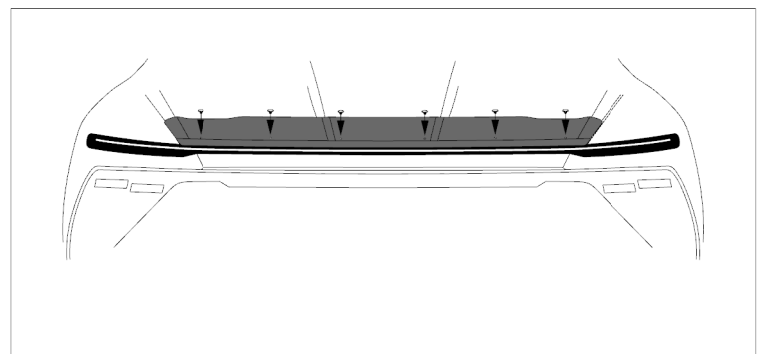


Install metal brackets

9

NOTE

Push metal mounting brackets over the hood edge aligned with the anti-abrasion pads. Ensure the bracket is fully seated over the hood edge and the hole in the bracket is aligned with the hole in the pedestal.



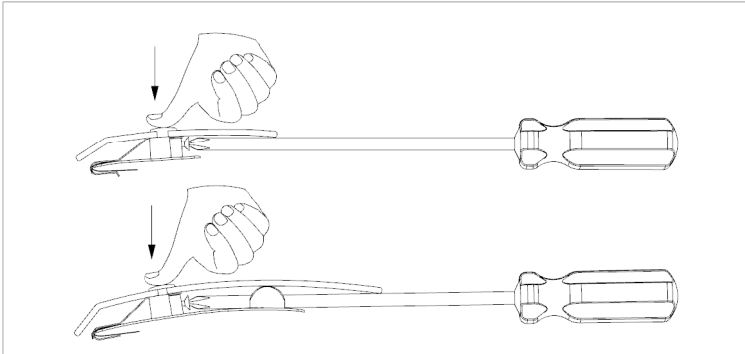
Position protector, install pins

10

M-O-Z

Place the protector on the pedestals and starting at the center position, install a pin through the protector and into the pedestal.

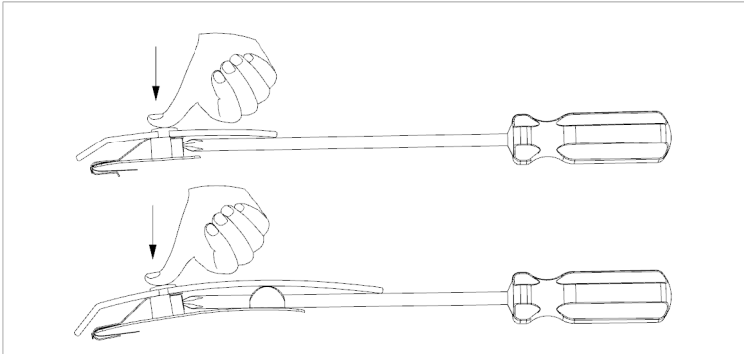




Partially tighten the screws **11**

m-OZ Maintain slight pressure on the pin to ensure proper seating of the components, while simultaneously tightening the screw a few turns. Repeat for remaining pedestal locations.

⚠ NOTE: Only tighten screws a few turns so the pins are held in place but there is still some movement of the protector as this assists in final alignment of all attachment positions.



Finish tightening the screws **12**

m-OZ Confirm protector is centered on hood. Starting at the center location tighten all the screws that were loosely installed in step 11.

⚠ NOTE: To allow adhesive to cure do not wash your vehicle for 24 hrs. Please inform the customer of this.